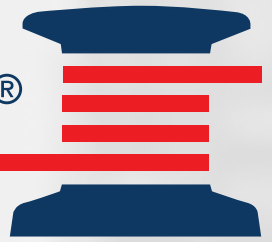
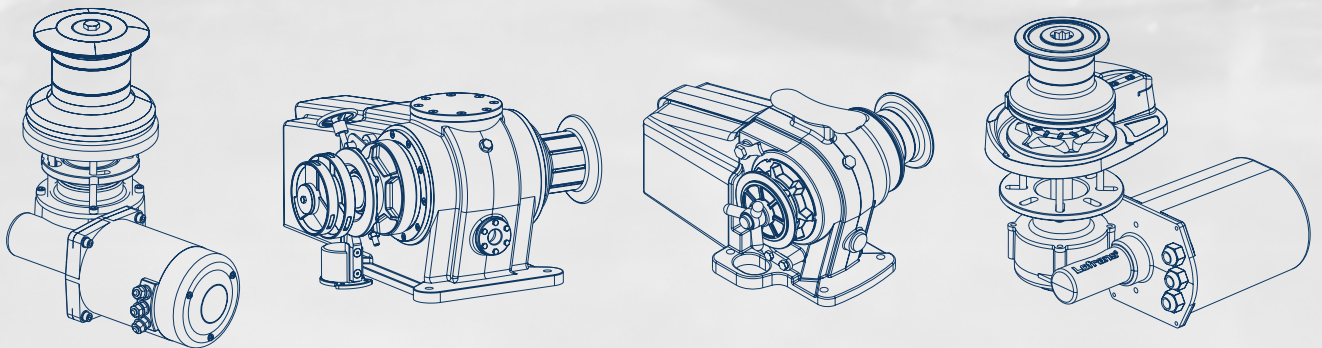


Lofrans[®]



W I N D L A S S E S

T H E O R I G I N A L W I N D L A S S



Quality, Safety & Reliability since 1966



1966

Lofrans' was founded in 1966 in Monza.

Since the beginning, it has been dedicated to designing and manufacturing high-quality windlasses and anchor management solutions that combine top performance, absolute safety and reliability.

For decades, "The Original Windlass" manufacturer offers stylish and innovative options with cutting-edge technology, while serving mega yachts' market with customised solutions upon request.

Well-reputed boat builders from all over the world have been trusting Lofrans' windlasses for their new builds.



Today

Being one of the most weather-beaten and mechanically challenged equipment on the deck, a windlass could not stand anything else than premium raw materials. Lofrans' utilises materials, able to resist corrosive effects that are common in the sea environment, such as AISI 316L stainless steel. Marine grade metals and electric motors designed to deliver high torque in all conditions, are used in order to offer the best possible efficiency.

With the latest CATIA CAD software, our engineers are constantly developing ideas and innovative solutions with regards to product evolution. The integration of these designs to our CAM system ensures that the switch from a conceptual idea to the actual produced component is achieved in a flawless manner.





Most of our components are produced by hot pressing, a technology which guarantees minimal porosity in the metal and superior mechanical features. The most exposed components are then chemically treated in order to slow down and minimise the process of marine corrosion.

During the production process in our factory, we carry out several dimensional tests on components and final products by use of our 3D coordinate measuring machine, as well as marine corrosion tests in a special marine environment chamber, which simulates the harshest of marine environments.

Our products meet the requirements of the most important classification societies such as RINA, BV, DNV and several others.

Additionally, we have been paying a lot of attention to the verticalisation of our production in order to make sure that we will keep our quality to the highest level.

Major investments have also been made to support our back office, such as the set-up of SAP & ERP software, the installation of a WMS (Warehouse Management System) integrated with hand held scanner order picking, additional Product Quality Assurance systems and distributor order automation via an in-house B2B ordering tool. Online spare parts ordering with very simple steps has been also set.

We have also established a ticketing system that brings together our customers & our technical department, facilitating communication in a prompt and direct way.

An integral part of Lofrans' is the worldwide network of official distributors in key markets of the industry, that guarantee the sales and service of the "original windlass".

Quality, Safety & Reliability since 1966

T H E O R I G I N A L W I N D L A S S

CONTENTS

06



X1

X1 Dark Version

10



X2

X2 Dark Version

14



X3

16



X4

18



SX1

20



SX2

22



SX3

24



SX3,5

26



SX4

28



SX5

30



SX7

32



ERCOLE VERTICAL

34



ROYAL

36



LION 1000

38



DORADO

40



RAZZA

42



GECKO

44



CAYMAN

46





KOBRA




48



Rope Kit

TIGRES

 VERTICAL WINDLASSES
 HORIZONTAL WINDLASSES
 DECK HARDWARE & ACCESSORIES

 MULTIFUNCTIONAL WINCHES
 CAPSTANS
 MEGA YACHT SOLUTIONS

50



FALKON

NEW
2000W

64



T1000 - T1500 -
T1700

76



ELECTRIC & ELECTRONIC ACCESSORIES

52



TITAN

66



T2000 - T2500

82



MAINTENANCE KITS

54



ERCOLE HORIZONTAL

68



ST1000 - ST1500 -
ST1700

84



GYPSIES

56



SUPER ERCOLE

70



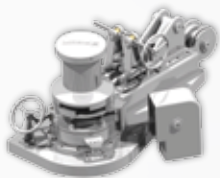
ST2000 - ST2500

86



CHAIN STOPPERS
& ROLLERS

58



ZEUS

72



ST3000 - ST4000

88



CHAIN PIPES

60



DRUM WINCH

NEW

74



CETO

88



ROPES

62



T500 - T700

75



TENDER WINCH

89



WINCH HANDLES

NEW

CHOOSE YOUR WINDLASS

ELECTRIC OR HYDRAULIC?

Electric direct current (DC) motorisation is the most popular one, while its maintenance is very limited. This kind of motor is used for vessels up to 90 feet of length.

Electric alternate current (AC) motorisation is suitable for boats from 90 up to 120 feet of length which have generators on board. AC motors offer sufficient torque; they have simple installation and require limited maintenance.

Hydraulic motorisation provides the advantage of supplying constant torque while the load changes. These motors are very popular on boats of over 120 feet length, and require specific installation.

MAXIMUM PULL & WORKING LOAD

Maximum pull is the maximum pull that the windlass is able to supply instantly (for a few seconds). Working load simulates the operating conditions. The ampere drawing and the speed data indicated in the catalogue refer to this load.

PROPER WINDLASS SELECTION

The steps to select a vertical or horizontal windlass are:

- 1 Check the windlass model - boat length chart, and choose the proper model accordingly.
- 2 Calculate the ground tackle by adding up the anchor weight, the total chain weight and the rope weight on board.
- 3 Find the suitable model in the catalogue, check the table, and make sure that the ground tackle does not exceed its working load with a tolerance + 10%.

VERTICAL WINDLASSES

		Boat Length															
Model Motor Size		20	25	30	35	40	45	50	55	60	65	70	75	80	85	90	ft
X1	500W	■	■	■	■	■											
	800W		■	■	■	■	■										
	1000W			■	■	■	■	■	■								
X2	800W			■	■	■	■	■	■	■							
	1000W				■	■	■	■	■	■	■						
	1500W					■	■	■	■	■	■	■					
X3	1500W						■	■	■	■	■	■	■				
	1700W							■	■	■	■	■	■	■			
	2300W								■	■	■	■	■	■	■		
X4	2700W									■	■	■	■	■	■	■	
	HYD 8cc										■	■	■	■	■	■	■
		6	9	12	15	18	21	24	27	m							

		Boat Length																			
Model Motor Size		20	25	30	35	40	45	50	55	60	65	70	75	80	85	90	95	100	110	120	ft
SX1	500W	■	■	■	■	■															
	800W		■	■	■	■	■														
SX2	1000W			■	■	■	■	■													
	1500W				■	■	■	■	■	■											
SX3	1500W					■	■	■	■	■	■										
	1700W						■	■	■	■	■	■									
SX3.5	2300W							■	■	■	■	■	■								
	2700W								■	■	■	■	■	■							
	HYD 8cc									■	■	■	■	■	■						
SX4	2300W										■	■	■	■	■	■					
	2700W											■	■	■	■	■	■				
	HYD 8cc												■	■	■	■	■	■			
SX5	3000W															■	■	■	■	■	
	HYD 8cc																■	■	■	■	■
SX7	DC 3500W																				
	AC 4000W																				
	HYD 8cc																				
		6	9	12	15	18	21	24	27	30	m										

		Boat Length																
Model Motor Size		85	90	95	100	105	110	115	120	125	130	135	140	145	150	155	160	ft
ERCOLE VERTICAL	DC 3500W		■	■	■	■	■	■	■	■	■	■	■	■	■	■	■	
	AC 4000W			■	■	■	■	■	■	■	■	■	■	■	■	■	■	■
	AC 5500W				■	■	■	■	■	■	■	■	■	■	■	■	■	■
	AC 7500W					■	■	■	■	■	■	■	■	■	■	■	■	■
	HYD 11cc						■	■	■	■	■	■	■	■	■	■	■	■
			24	27	30	34	37	40	43	45	m							

Conditions of Usage: ■ Heavy ■ Light

HORIZONTAL WINDLASSES

Boat Length

Model Motor Size	20	25	30	35	40	45	50	55	60	65	70	75	80	85	90	95	100	105	110	115	120	125	130	135	140	145	150	ft	
ROYAL	MANUAL																												
LION 1000	700W																												
DORADO	500W																												
	800W																												
RAZZA	500W																												
	800W																												
GECKO	600W																												
	900W																												
CAYMAN	700W																												
	1000W																												
KOBRA	1000W																												
TIGRES	1500W																												
FALKON	1700W																												
	2000W																												
TITAN	DC 2300W																												
	AC 3600W																												
	HYD 9cc																												
ERCOLE HORIZONTAL	DC 3500W																												
	AC 5500W																												
	HYD 11cc																												
SUPER ERCOLE	DC 3500W																												
	AC 5500W																												
	HYD 11cc																												
		6	9	12	15	18	21	24	27	30	34	37	40	43	45	m													

Conditions of Usage: Heavy Light

CAPSTANS

Boat Length

Model Motor Size	20	25	30	35	40	45	50	55	60	65	70	75	80	85	90	95	100	105	110	115	120	125	130	135	140	145	150	ft	
T500	500W																												
T700 / ST700	700W																												
T1000 / ST1000	1000W																												
T1500 / ST1500	1500W																												
T1700 / ST1700	1700W																												
T2000 / ST2000	AC 2200W																												
	DC 2300W																												
	HYD 9cc																												
T2500 / ST2500	AC 2200W																												
	DC 2700W																												
	HYD 9cc																												
ST3000	AC 2200W																												
	DC 3000W																												
	AC 3600W																												
	HYD 9cc																												
ST4000	DC 3500W																												
	AC 4000W																												
	AC 5000W																												
	HYD 11cc																												
		6	9	12	15	18	21	24	27	30	34	37	40	43	45	m													

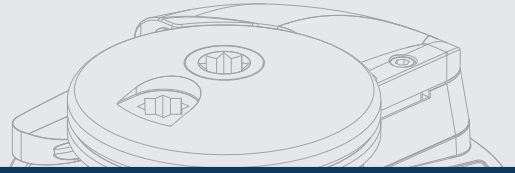
Conditions of Usage: Heavy Light

MEGA YACHT SOLUTIONS

Boat Length

Model Motor Size	150	165	180	195	210	225	240	260	280	295	310	330	345	360	390	425	ft
ZEUS 5500																	
ZEUS 7500																	
ZEUS 9500																	
ZEUS 12000																	
	45	50	55	60	65	70	75	80	85	90	95	100	105	110	120	130	m

Conditions of Usage: Heavy



X1

Vertical Windlass

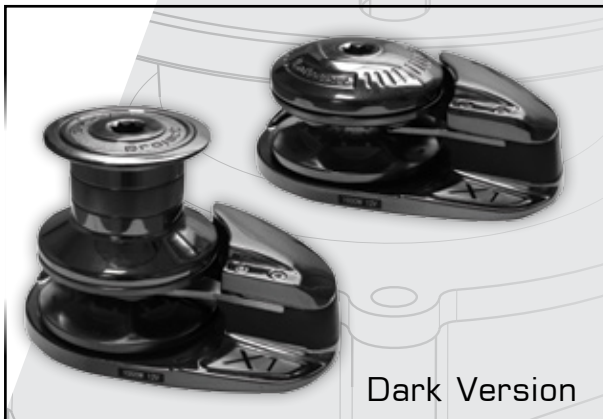
500 W / 800 W / 1000 W



Low Profile



With Drum



Dark Version

Main Features

- Marine anodised aluminium & chrome plated construction
- With drum or low profile
- Independent gypsy and drum operation
- Rope and chain combination gypsy
- Manual chain release
- Chain & rope management by the spring loaded arm
- Chain counter magnet pre-installed as standard
- IP67 motor cover
- Marine anodised aluminium gearbox

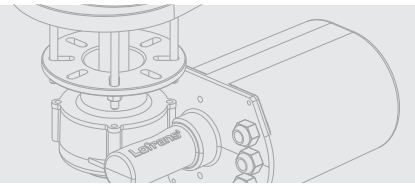
Standard Equipment

- Dual direction solenoid pack
- Handle
- Gypsy for chain & rope
- QR code card for Instruction Manual



X1

Vertical Windlass



500 W / 800 W / 1000 W



Construction			Anodised Aluminium		
Motor Size			500 W	800 W	1000 W
Power Supply (V)			12	12	12
Maximum Pull (kg)			630	700	900
Working Load (kg)			95	100	125
Amps at Working Load (A)			60	110	125
Line Speed at Working Load (m/min)			23	25	18
Max. Line Speed (m/min)			26	28	30
Net Weight Low Profile (kg)			10	13	16
Net Weight with Drum (kg)			11	14	17

X1			Code	Code	Code
With Drum	6 mm, ISO 4565 / DIN 766	10-12 mm, 3-strand	409558	602108	*
	8 mm, ISO 4565 / DIN 766	12 mm, 3-strand	600980	602109	*
Low Profile	6 mm, ISO 4565 / DIN 766	10-12 mm, 3-strand	409557	602106	*
	8 mm, ISO 4565 / DIN 766	12 mm, 3-strand	57449	602107	*

Construction			Chrome Plated		
Motor Size			500 W	800 W	1000 W
Power Supply (V)			12	12	12
Maximum Pull (kg)			630	700	900
Working Load (kg)			95	100	125
Amps at Working Load (A)			60	110	125
Line Speed at Working Load (m/min)			23	25	18
Max. Line Speed (m/min)			26	28	30
Net Weight Low Profile (kg)			11	13	16
Net Weight with Drum (kg)			12	14	17

X1			Code	Code	Code
With Drum	6 mm, ISO 4565 / DIN 766	10-12 mm, 3-strand	472881	473207	*
	8 mm, ISO 4565 / DIN 766	12 mm, 3-strand	187270	473003	600092
Low Profile	6 mm, ISO 4565 / DIN 766	10-12 mm, 3-strand	472880	473217	*
	8 mm, ISO 4565 / DIN 766	12 mm, 3-strand	187269	473002	600093

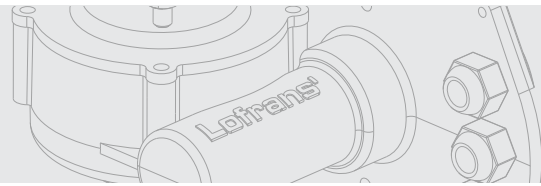
For additional options on compatible gypsies, please refer to page 9.

If you are interested in an alternative configuration not listed above or any other special product, please contact our team. Product codes with * are available upon request.



X1 Vertical Windlass

Dark Version





With Drum



Low Profile

Dark Version

Motor Size	500 W	800 W	1000 W
Power Supply (V)	12	12	12
Maximum Pull (kg)	630	700	900
Working Load (kg)	95	100	125
Amps at Working Load (A)	60	110	125
Line Speed at Working Load (m/min)	23	25	18
Max. Line Speed (m/min)	26	28	30
Net Weight Low Profile (kg)	10	13	16
Net Weight with Drum (kg)	11	14	17

X1			Code	Code	Code
With Drum	8 mm, ISO 4565 / DIN 766	12 mm, 3-strand	*	636702	*
Low Profile	6 mm, ISO 4565 / DIN 766	10-12 mm, 3-strand	636206	636433	*
	8 mm, ISO 4565 / DIN 766	12 mm, 3-strand	636700	636432	636701

For additional options on compatible gypsies, please refer to the next page.

If you are interested in an alternative configuration not listed above or any other special product, please contact our team. Product codes with * are available upon request.

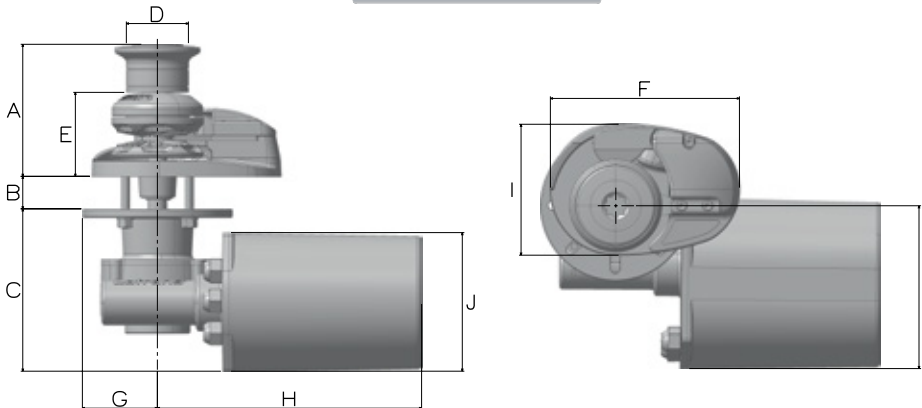


X1 Vertical Windlass

500 W / 800 W / 1000 W



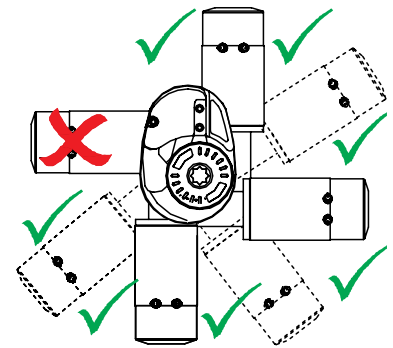
Dimensions (mm)



Model	A	B	C	D	E*	F	G	H	I	J	L
500 W	130	10-30	111	Ø60	84	183	55	236	127	105	132
800 W	130	10-30	111	Ø60	84	183	55	236	127	105	132
1000 W	130	10-30	150	Ø60	84	183	55	256	127	134	165

*Low Profile height dimensions.

Installation positions



Combine with

Compatible Chains



Code	Chain Size	Pack (m)
72749	6 mm, ISO 4565 / DIN 766	30
72751	8 mm, ISO 4565 / DIN 766	30

More available packs (see pages 87)

Compatible Gypsies



Code	Gypsy Size
630970	6 mm, ISO 4565 / DIN 766
630980	7 mm, ISO 4565 - 1/4" G40
630999	8 mm, ISO 4565 / DIN 766

Optional Accessories

- Foot Switch
- Control Switch
- Circuit Breaker
- Chain Counter
- Hand Held Control
- Radio Control



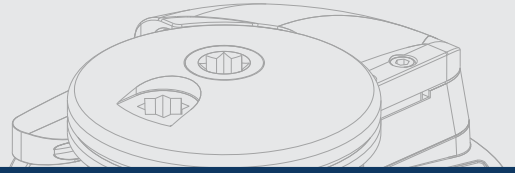
KEEP YOUR LOFRANS' AS GOOD AS NEW!



Maintenance Kit for X1

Code I 72037

Please refer to Deck Hardware & Accessories section for control and installation products (pages 76-89).



X2

Vertical Windlass

800 W / 1000 W / 1500 W



With Drum

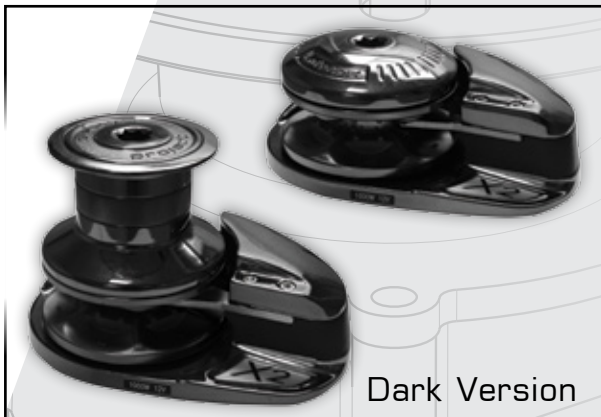


Low Profile



Main Features

- Marine anodised aluminium & chrome plated construction
- Special watertight stainless steel ball bearing in the base
- With drum or low profile
- Independent gypsy and drum operation
- Rope and chain combination gypsy
- Manual chain release
- Manual override available for chrome plated models and dark version only (800 W chrome variant does not have the manual override function)
- Chain & rope management by the spring loaded arm
- Chain counter magnet pre-installed as standard
- IP67 motor cover
- Marine anodised aluminium gearbox



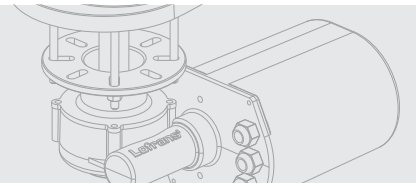
Dark Version

Standard Equipment



- Dual direction solenoid pack
- Handle
- Gypsy for chain & rope
- QR code card for Instruction Manual

X2 Vertical Windlass



800 W / 1000 W / 1500 W



Construction	Anodised Aluminium				
	800 W	1000 W		1500 W	
Motor Size					
Power Supply (V)	12	12	24	12	24
Maximum Pull (kg)	850	1000	1060	1200	1270
Working Load (kg)	115	150	160	165	175
Amps at Working Load (A)	110	117	59	130	65
Line Speed at Working Load (m/min)	30	20	23	17	19
Max. Line Speed (m/min)	35	40	40	40	40
Net Weight Low Profile (kg)	18	19	23	24	24
Net Weight with Drum (kg)	19	20	24	25	25

X2			Code	Code	Code	Code	Code
With Drum	6 mm, ISO 4565 / DIN 766	-	600044	600049	601062	*	*
	8 mm, ISO 4565 / DIN 766	14 mm, 3-strand	472735	472751	472750	600057	600061
	10 mm, DIN 766	-	*	601052	601064	601057	601068
	10 mm, ISO 4565	-	*	600053	601063	600056	600060
Low Profile	6 mm, ISO 4565 / DIN 766	-	600045	600050	601058	*	*
	8 mm, ISO 4565 / DIN 766	14 mm, 3-strand	472558	472557	601059	601053	601065
	10 mm, DIN 766	-	*	601049	601061	601055	601067
	10 mm, ISO 4565	-	*	57450	601060	601054	601066

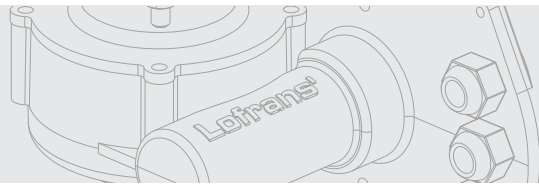
Construction	Chrome Plated				
	800 W	1000 W		1500 W	
Motor Size					
Power Supply (V)	12	12	24	12	24
Maximum Pull (kg)	850	1000	1060	1200	1270
Working Load (kg)	115	150	160	165	175
Amps at Working Load (A)	110	117	59	130	65
Line Speed at Working Load (m/min)	30	20	23	17	19
Max. Line Speed (m/min)	35	40	40	40	40
Net Weight Low Profile (kg)	21	23	23	24	24
Net Weight with Drum (kg)	23	24	24	25	25

X2			Code	Code	Code	Code	Code
With Drum	6 mm, ISO 4565 / DIN 766	-	600046	600997	601034	*	*
	8 mm, ISO 4565 / DIN 766	14 mm, 3-strand	472862	473212	473255	602110	601042
	10 mm, DIN 766	-	*	602096	473227	187274	187276
	10 mm, ISO 4565	-	*	472863	601011	601013	601044
Low Profile	6 mm, ISO 4565 / DIN 766	-	600047	600989	601028	*	*
	8 mm, ISO 4565 / DIN 766	14 mm, 3-strand	472861	473213	600054	601006	601039
	10 mm, DIN 766	-	*	602097	473226	187273	601041
	10 mm, ISO 4565	-	*	472864	478642	601008	602529

For additional options on compatible gypsies, please refer to page 13.
If you are interested in an alternative configuration not listed above or any other special product, please contact our team. Product codes with * are available upon request.

X2 Vertical Windlass

Dark Version



With Drum



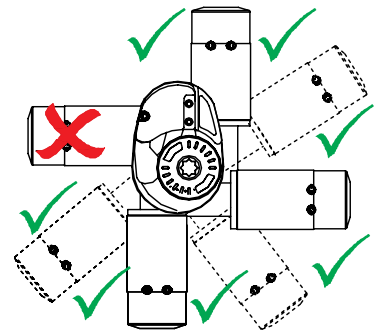
Low Profile



Dark Version

Motor Size	1000 W
Power Supply (V)	12
Maximum Pull (kg)	1000
Working Load (kg)	150
Amps at Working Load (A)	117
Line Speed at Working Load (m/min)	20
Max. Line Speed (m/min)	40
Net Weight Low Profile (kg)	19
Net Weight with Drum (kg)	20



Installation positions

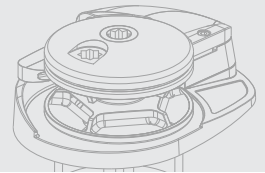


X2			Code
With Drum	8 mm, ISO 4565 / DIN 766	14 mm, 3-strand	636704
	10 mm, DIN 766	-	636708
	10 mm, ISO 4565	-	636706
Low Profile	8 mm, ISO 4565 / DIN 766	14 mm, 3-strand	636703
	10 mm, DIN 766	-	636707
	10 mm, ISO 4565	-	636705

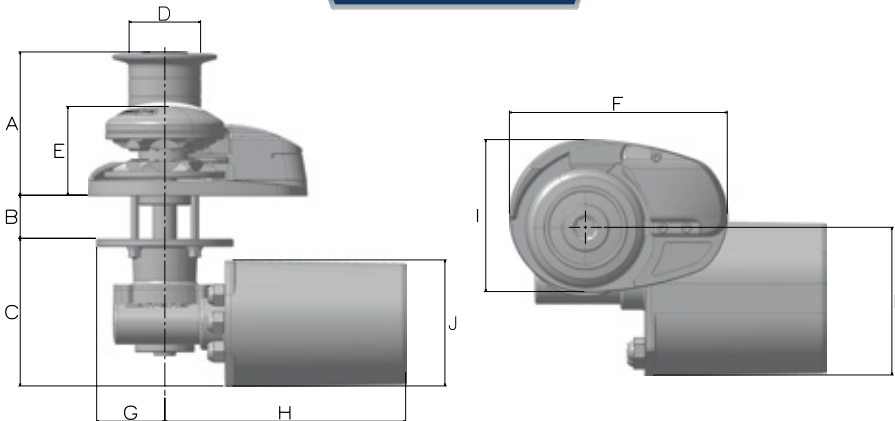
For additional options on compatible gypsies, please refer to the next page.
If you are interested in an alternative configuration not listed above or any other special product, please contact our team.

X2 Vertical Windlass

800 W / 1000 W / 1500 W



Dimensions (mm)



Model	A	B	C	D	E*	F	G	H	I	J	L
800 W	153	25-40	155	Ø76	94	232	62	244	162	Ø94	138
1000 W	153	25-40	155	Ø76	94	232	62	244	162	Ø114	138
1500 W	153	25-40	155	Ø76	94	232	62	244	162	Ø134	138

*Low Profile height dimensions.



Combine with

Compatible Gypsies



Code	Gypsy Size
630953	6 mm, ISO 4565 / DIN 766
630949	8 mm, ISO 4565 / DIN 766
630951	10mm, ISO 4565
630955	10mm, DIN 766

Chain Stopper



Lofrans' Chain Stopper, Stainless Steel, for ISO/DIN Chain 8/10/12mm

Code I 636257

Optional Accessories

- Foot Switch
- Control Switch
- Circuit Breaker
- Chain Counter
- Hand Held Control
- Radio Control



KEEP YOUR LOFRANS' AS GOOD AS NEW!



Maintenance Kit for X2

Code I 72038



Maintenance Kit for X2 ALU

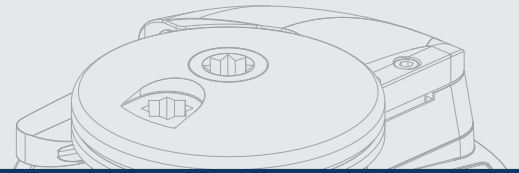
Code I 72039

Please refer to Deck Hardware & Accessories section for control and installation products (pages 76-89).

X3

Vertical Windlass

1500 W / 1700 W



With Drum

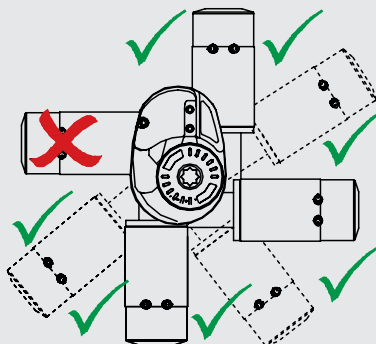


Low Profile

Main Features

- Marine anodised aluminium & chrome plated construction
- With drum or low profile
- Independent gypsy and drum operation
- Rope and chain combination gypsy
- Manual chain release
- Manual override available for chrome plated models only
- Chain & rope management by the spring loaded arm
- Chain counter magnet pre-installed as standard
- IP67 motor cover (up to 1500 W)
- Marine anodised aluminium gearbox

Installation positions

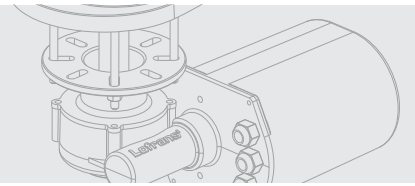


Standard Equipment



- Dual direction solenoid pack
- Handle
- Gypsy for chain & rope
- QR code card for Instruction Manual

X3 Vertical Windlass



1500 W / 1700 W



Construction	Anodised Aluminium			
	1500 W		1700 W	
Motor Size				
Power Supply (V)	12	24	12	24
Maximum Pull (kg)	1200	1200	1600	1695
Working Load (kg)	165	165	200	200
Amps at Working Load (A)	150	65	180	90
Line Speed at Working Load (m/min)	17	17	14	15
Max. Line Speed (m/min)	40	35	32	32
Net Weight Low Profile (kg)	32	32	32	35
Net Weight with Drum (kg)	35	35	35	38

X3			Code	Code	Code	Code
With Drum	8 mm, ISO 4565 / DIN 766	14 mm, 3-strand	602243	602240	57451	601136
	10 mm, DIN 766	16 mm, 3-strand	602245	602242	57452	601139
	10 mm, ISO 4565	16 mm, 3-strand	602244	602241	601132	601137
	12 mm, ISO 4565 / 13mm, DIN 766	18 mm, 3-strand	*	*	57453	601138
Low Profile	8 mm, ISO 4565 / DIN 766	14 mm, 3-strand	602249	602246	601128	602238
	10 mm, DIN 766	16 mm, 3-strand	602251	602248	601131	601135
	10 mm, ISO 4565	16 mm, 3-strand	602250	602247	601129	601133
	12 mm, ISO 4565 / 13mm, DIN 766	18 mm, 3-strand	*	*	602237	601134

Construction	Chrome Plated			
	1500 W		1700 W	
Motor Size				
Power Supply (V)	12	24	12	24
Maximum Pull (kg)	1200	1200	1600	1695
Working Load (kg)	165	165	200	200
Amps at Working Load (A)	150	65	180	90
Line Speed at Working Load (m/min)	17	17	14	15
Max. Line Speed (m/min)	40	35	32	32
Net Weight Low Profile (kg)	32	32	35	35
Net Weight with Drum (kg)	35	35	38	38

X3			Code	Code	Code	Code
With Drum	8 mm, ISO 4565 / DIN 766	14 mm, 3-strand	601079	601102	600064	600068
	10 mm, DIN 766	16 mm, 3-strand	473228	473228	602101	602103
	10 mm, ISO 4565	16 mm, 3-strand	472865	478647	473208	473252
	12 mm, ISO 4565 / 13mm, DIN 766	18 mm, 3-strand	601084	601107	473004	473005
Low Profile	8 mm, ISO 4565 / DIN 766	14 mm, 3-strand	601070	601095	600065	601108
	10 mm, DIN 766	16 mm, 3-strand	602099	473218	602102	602104
	10 mm, ISO 4565	16 mm, 3-strand	472866	601097	473209	473256
	12 mm, ISO 4565 / 13mm, DIN 766	18 mm, 3-strand	601075	601098	472842	473006

For additional options on compatible gypsies, please check the relevant table.
If you are interested in an alternative configuration not listed above or any other special product, please contact our team. Product codes with * are available upon request.

Dimensions (mm)

Model	A	B	C	D	E*	F
1500 W	195	50-70	165	Ø92	110	270
1700 W	195	50-70	165	Ø92	110	270

Model	G	H	I	J	L
1500 W	80	270	192	Ø114	135
1700 W	80	300	192	Ø126	135

*Low Profile height dimensions.

Combine with

Compatible Gypsies

Code	Gypsy Size
630957	8 mm, ISO 4565 / DIN 766
630966	10mm, DIN 766
630959	10mm, ISO 4565
630961	12mm, ISO 4565 / 13mm, DIN766

Optional Accessories

- Foot Switch
- Control Switch
- Circuit Breaker
- Chain Counter
- Hand Held Control
- Radio Control

Please refer to Deck Hardware & Accessories section for control and installation products (pages 76-89).

X4

Vertical Windlass

2300 W / 2700 W / Hydraulic - 8cc



Low Profile



With Drum

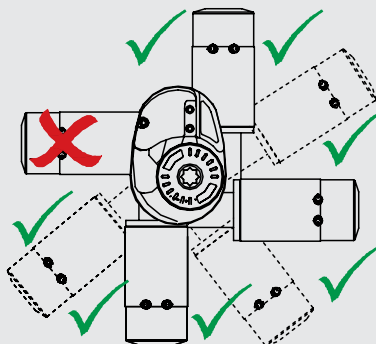
Main Features

- Chrome plated construction
- With drum or low profile
- Independent gypsy and drum operation
- Manual chain release
- Manual override
- Chain counter magnet pre-installed as standard
- Marine anodised aluminium gearbox
- Heavy duty electric motor

Standard Equipment

- Dual direction solenoid pack
- Handle
- Gypsy for chain
- QR code card for Instruction Manual

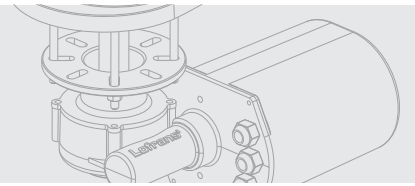
Installation positions



X4

Vertical Windlass

2300 W / 2700 W / Hydraulic - 8cc



Construction

Chrome Plated

Motor Size	2300 W	2700 W	Hydraulic - 8cc
Power Supply (V)	24	24	-
Maximum Pull (kg)	2000	2400	2500
Working load (kg)	500	530	650
Amps at Working Load (A)	160	170	-
Line Speed at Working Load (m/min)	12	12	16
Max Line Speed (m/min)	25	28	16
Net Weight Low Profile (kg)	72	75	55
Net Weight with Drum (kg)	82	85	60
Hydraulic Pressure (bar)	-	-	200
Hydraulic Flow (lt/min)	-	-	32

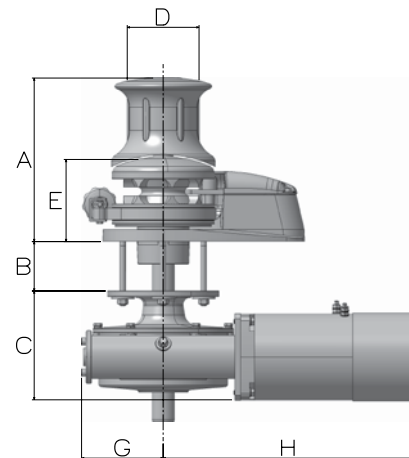
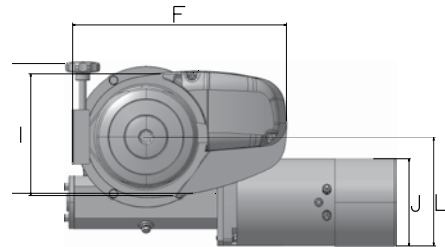
X4	Type**	Code	Code	Code	
With Drum	10 mm, ISO 4565	cw	600073	601167	*
	12 mm, ISO 4565 / 13mm, DIN 766	cw	473007	600075	602361
	14 mm	cw	476292	472849	602362
	12 mm, ISO 4565 / 13mm, DIN 766	ccw	600074	600076	602363
	14 mm	ccw	601150	601175	602364
Low Profile	12 mm, ISO 4565 / 13mm, DIN 766	ccw	601142	601159	*

For additional options on compatible gypsies, please check below.
If you are interested in an alternative configuration not listed above or any other special product, please contact our team.

Product codes with * are available upon request.

** cw: the windlass pulls clockwise. ccw: the windlass pulls counter clockwise

Dimensions (mm)



Model	A	B	C	D	E*	F	G	H	I	J	K	L
2300 W	285	60-130	200	Ø125	150	380	140	480	220	Ø152	240	190
2700 W	285	60-130	200	Ø125	150	380	140	480	220	Ø152	240	190

* Low Profile height dimensions.

** For Hydraulic version dimensions please see page 90.

Combine with

Compatible Gypsies



Code	Gypsy Size
630996	8mm ISO4565/DIN766
631036	1/2" G40
631132	10mm DIN766 3/8" BBB
636570	10mm ISO4565 3/8" HT
636572	12-13mm DIN766
631033	1/2" BBB
631059	14mm

Chain Stopper



Lofrans' Chain stopper, Stainless Steel, for normal chain 12/13/14mm

Code I 72191

Optional Accessories

- Foot Switch
- Control Switch
- Circuit Breaker
- Chain Counter
- Hand Held Control
- Radio Control

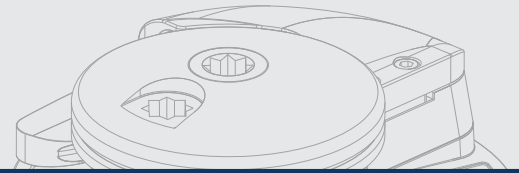


Please refer to Deck Hardware & Accessories section for control and installation products (pages 76-89).

SX1

Vertical Windlass

500 W / 800 W



Low Profile

Main Features

- Compact round base design
- Marine AISI 316L Stainless Steel construction
- Manual chain release
- Chain counter magnet pre-installed as standard
- IP67 motor cover
- Marine anodised aluminium gearbox
- Chain pipe available as an option

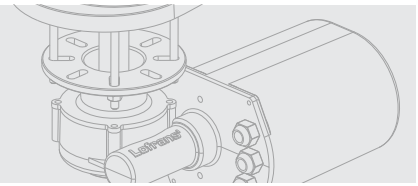
Standard Equipment

- Dual direction solenoid pack
- Handle
- Gypsy for chain
- QR code card for Instruction Manual

SX 1

Vertical Windlass

500 W / 800 W



Construction

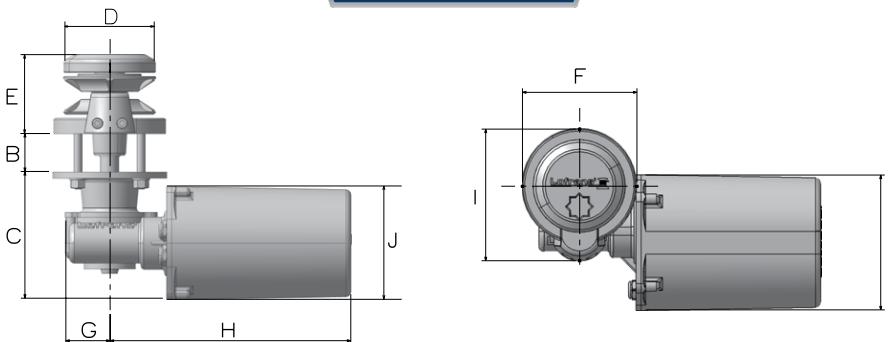
AISI 316L Stainless Steel

Motor Size	500 W	800 W
Power Supply (V)	12	12
Maximum Pull (kg)	630	700
Working Load (kg)	95	100
Amps at Working Load (A)	75	80
Line Speed at Working Load (m/min)	23	25
Max. Line Speed (m/min)	26	28
Net Weight Low Profile (kg)	11	13

SX1		Code	Code
With Drum	6 mm, ISO 4565 / DIN 766	636279	636281
	8 mm, ISO 4565 / DIN 766	*	636280

For additional options on compatible gypsies, please check below.
If you are interested in an alternative configuration not listed above or any other special product, please contact our team.
Product codes with * are available upon request.

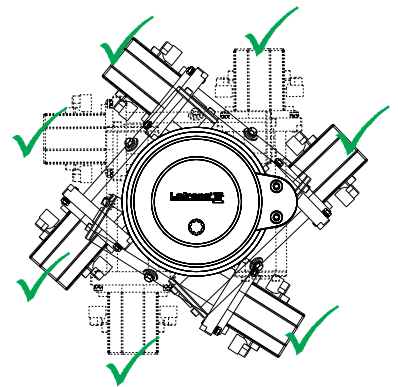
Dimensions (mm)



Model	B	D	C	E	F	G	H	I	J	L
500 W	18-30	Ø90	124	74	Ø110	55	237	128	110	120
800 W	18-30	Ø90	124	74	Ø110	55	237	128	110	120

*Low Profile height dimensions.

Installation positions



Compatible Gypsies



Code	Gypsy Size
630970	6 mm, ISO 4565 / DIN 766
630980	7 mm, ISO 4565 - 1/4" G40
630999	8 mm, ISO 4565 / DIN 766

Combine with

- Foot Switch
- Control Switch
- Circuit Breaker
- Chain Counter
- Hand Held Control
- Radio Control



Optional Accessories

Please refer to Deck Hardware & Accessories section for control and installation products (pages 76-89).

SX2

Vertical Windlass

1000 W / 1500 W



With Drum



Low Profile

Main Features

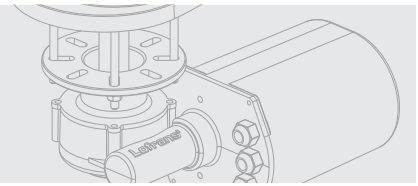
- Compact round base design
- With drum or low profile
- Marine AISI 316L Stainless Steel construction
- Independent gypsy and drum operation
- Manual chain release
- Chain counter magnet pre-installed as standard
- IP67 motor cover
- Marine anodised aluminium gearbox
- Chain pipe available as an option

Standard Equipment

- Dual direction solenoid pack
- Handle
- Gypsy for chain
- QR code card for Instruction Manual

SX2 Vertical Windlass

1000 W / 1500 W



Construction		AISI 316L Stainless Steel			
Motor Size		1000 W		1500 W	
Power Supply (V)		12	24	12	24
Maximum Pull (kg)		1000	1060	1200	1270
Working Load (kg)		150	160	165	175
Amps at Working Load (A)		135	70	150	75
Line Speed at Working Load (m/min)		20	23	17	19
Max. Line Speed (m/min)		40	40	40	40
Net Weight Low Profile (kg)		19	23	24	24
Net Weight with Drum (kg)		20	24	25	25
SX2		Code	Code	Code	Code
With Drum	8 mm, ISO 4565 / DIN 766	636283	*	*	636285
	10 mm, DIN 766	636653	*	*	*
Low Profile	8 mm, ISO 4565 / DIN 766	636282	*	*	636284

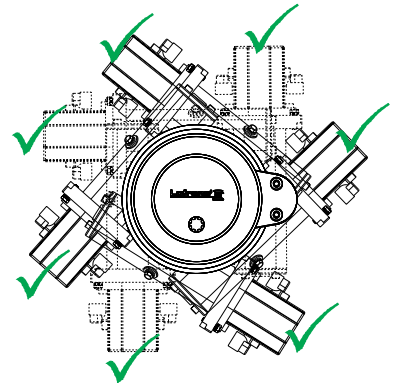
For additional options on compatible gypsies, please refer to page 84.
If you are interested in an alternative configuration not listed above or any other special product, please contact our team.
Product codes with * are available upon request.

Dimensions (mm)

Model	A	B	C	D	E*	F	G	H	I	J	L
1000 W	159	25-40	157	Ø77	93	Ø157	62	259	177	134	265
1500 W	159	25-40	157	Ø77	93	Ø157	62	259	177	134	265

*Low Profile height dimensions.

Installation positions



Compatible Gypsies

Compatible Chains

Chain Stopper

Chain Pipe

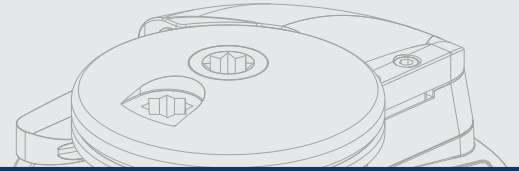
Optional Accessories

Please refer to Deck Hardware & Accessories section for control and installation products (pages 76-89).

SX3

Vertical Windlass

1500 W / 1700 W



With Drum



Low Profile

Main Features

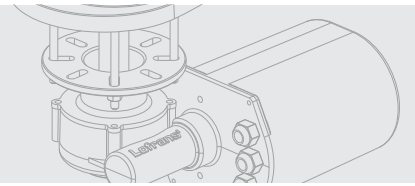
- Compact round base design
- With drum or low profile
- Marine AISI 316L Stainless Steel construction
- Independent gypsy and drum operation
- Manual chain release
- Chain counter magnet pre-installed as standard
- IP67 motor cover (up to 1500 W)
- Marine anodised aluminium gearbox
- Chain pipe available as an option

Standard Equipment

- Dual direction solenoid pack
- Handle
- Gypsy for chain
- QR code card for Instruction Manual

SX3 Vertical Windlass

1500 W / 1700 W



Construction

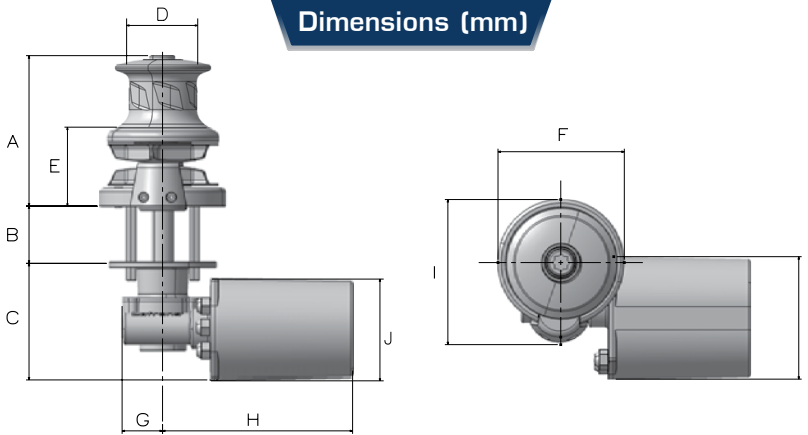
AISI 316L Stainless Steel

Motor Size	1500 W		1700 W	
Power Supply (V)	12	24	12	24
Maximum Pull (kg)	1200	1200	1600	1695
Working Load (kg)	165	165	200	215
Amps at Working Load (A)	150	65	180	90
Line Speed at Working Load (m/min)	17	17	14	15
Max. Line Speed (m/min)	40	40	35	35
Net Weight Low Profile (kg)	32	32	35	35
Net Weight with Drum (kg)	35	35	38	38

SX3		Code	Code	Code	Code
With Drum	8 mm ISO 4565 / DIN 766	636598	*	*	*
	10 mm, DIN 766	636652	*	636591	636288
	10 mm, ISO 4565 - 3/8" HT	636658	*	*	*
	12 mm, ISO 4565 / 13mm, DIN 766	*	*	*	636287
Low Profile	10 mm, ISO 4565	636289	*	*	*
	12 mm, ISO 4565 / 13mm, DIN 766	*	*	*	636286

For additional options on compatible gypsies, please refer to page 84.
If you are interested in an alternative configuration not listed above or any other special product, please contact our team.
Product codes with * are available upon request.

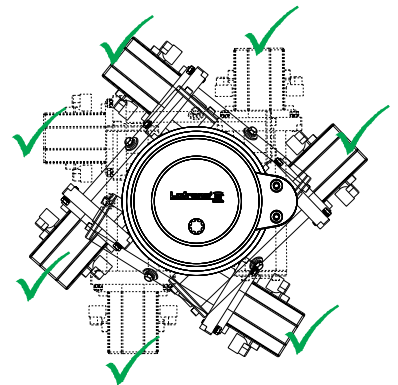
Dimensions (mm)



Model	A	B	C	D	E*	F	G	H	I	J	L
1500 W	203	50-70	167	Ø91	107	Ø170	80	256	192	150	145
1700 W	203	50-70	167	Ø91	107	Ø170	80	299	192	150	140

*Low Profile height dimensions.

Installation positions



Compatible Gypsies



Compatible Chains



Combine with

Chain Stopper



Chain Pipe



Optional Accessories



Please refer to Deck Hardware & Accessories section for control and installation products (pages 76-89).

SX3.5 Vertical Windlass

1700 W / 2300 W / 2700 W /
Hydraulic - 8cc



With Drum

Low Profile



Main Features

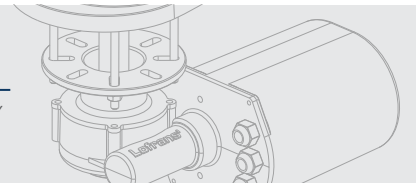
- Compact round base design
- Marine AISI 316L Stainless Steel construction
- With drum or low profile
- Independent gypsy and drum operation
- Manual chain release
- Chain counter magnet pre-installed as standard
- Marine anodised aluminium gearbox
- Heavy duty electric motor
- Chain pipe available as an option

Standard Equipment

- Dual direction solenoid pack
- Handle
- Gypsy for chain
- QR code card for Instruction Manual

SX3.5 Vertical Windlass

1700 W / 2300 W / 2700 W / Hydraulic - 8cc



Construction	AISI 316L Stainless Steel				
	1700 W	2300 W	2300 W	2700 W	Hydraulic - 8cc
Motor Size					
Power Supply (V)	12	24	24	24	-
Maximum Pull (kg)	1700	1750	1900	2400	2500
Working Load (kg)	215	220	265	320	650
Amps at Working Load (A)	135	68	110	125	-
Line Speed at Working Load (m/min)	15	15	18	18	16
Max. Line Speed (m/min)	32	32	30	32	16
Net Weight Low Profile (kg)	50	50	60	60	55
Net Weight with Drum (kg)	48	48	58	58	60
Hydraulic Pressure (bar)	-	-	-	-	200
Hydraulic Flow (lt/min)	-	-	-	-	32

SX3.5		Code	Code	Code	Code	Code
With Drum	10 mm, ISO 4565	600084	600085	602372	*	*
	12 mm, ISO 4565 / 13mm, DIN 766	600086	600087	600088	602373	636392
	14 mm	*	*	*	600090	*
Low Profile	12 mm, ISO 4565 / 13mm, DIN 766	635984	635985	635986	636099	*
	14 mm	*	*	*	*	636208

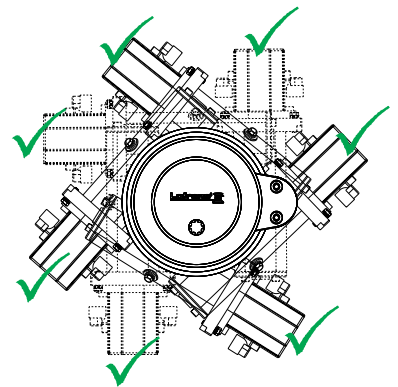
For additional options on compatible gypsies, please refer to page 84.
If you are interested in an alternative configuration not listed above or any other special product, please contact our team.
Product codes with * are available upon request.

Dimensions (mm)

Model	A	B	C	D	E*	F	G	H	I	J	K	L
1700 W	281	40-60	165	Ø110	159	374	79	294	Ø190	Ø127	236	138
2300 W	281	40-110	165	Ø110	159	374	79	294	Ø190	Ø150	236	138
2700 W	281	40-110	165	Ø110	159	374	79	294	Ø190	Ø150	236	138

*Low Profile height dimensions. ** For Hydraulic version dimensions please see page 90.

Installation positions



Compatible Gypsies

Chain Stopper

Chain Pipe

Combine with

Optional Accessories

Please refer to Deck Hardware & Accessories section for control and installation products (pages 76-89).

SX4

Vertical Windlass

2300 W / 2700 W /
Hydraulic - 8cc



With Drum



Low Profile

Main Features

- Compact round base design
- Marine AISI 316L Stainless Steel construction
- With drum or low profile
- Independent gypsy and drum operation
- Manual chain release
- Chain counter magnet pre-installed as standard
- Marine anodised aluminium gearbox
- Manual override
- Chain pipe available as an option

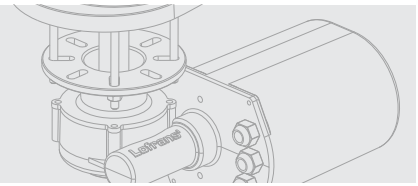
Standard Equipment

- Dual direction solenoid pack
- Handle
- Gypsy for chain
- QR code card for Instruction Manual


SX4

Vertical Windlass

2300 W / 2700 W / Hydraulic - 8cc



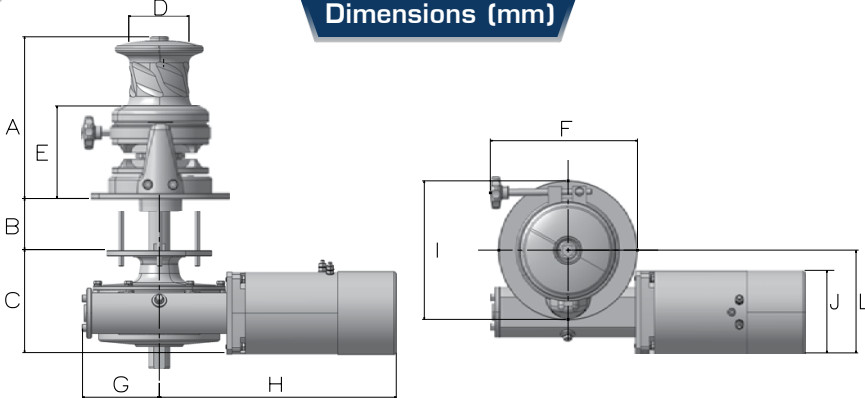
Construction		AISI 316L Stainless Steel		
Motor Size		2300 W	2700 W	Hydraulic - 8cc
Power Supply (V)		24	24	-
Maximum Pull (kg)		2100	2500	2500
Working load (kg)		500	530	650
Amps at Working Load (A)		160	170	-
Line Speed at Working Load (m/min)		13	13	16
Max Line Speed (m/min)		25	28	16
Net Weight Low Profile (kg)		72	75	55
Net Weight with Drum (kg)		82	85	60
Hydraulic Pressure (bar)		-	-	200
Hydraulic Flow (lt/min)		-	-	32

SX4		Type**	Code	Code	Code
With Drum	12 mm, ISO 4565 / 13mm, DIN 766	cw	636290	636291	636295
	14 mm	cw	*	636655	*
Low Profile	12 mm, ISO 4565 / 13mm, DIN 766	cw	636292	636293	636294
		ccw	*	639293	639294

For additional options on compatible gypsies, please refer to page 84.
If you are interested in an alternative configuration not listed above or any other special product, please contact our team.
Product codes with * are available upon request.

** cw: the windlass pulls clockwise. ccw: the windlass pulls counter clockwise

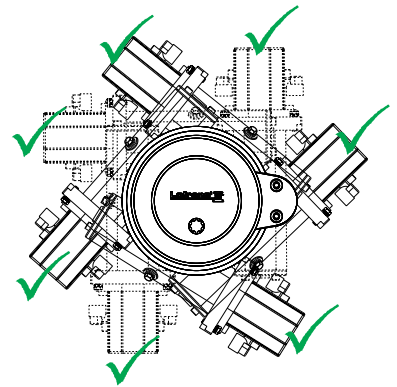
Dimensions (mm)






Model	A	B	C	D	E*	F	G	H	I	J	L
2300 W	298	60-130	191	Ø110	170	264	142	436	255	152	189
2700 W	298	60-130	191	Ø110	170	264	142	436	255	152	189

* Low Profile height dimensions. ** For Hydraulic version dimensions please see page 95.

Installation positions

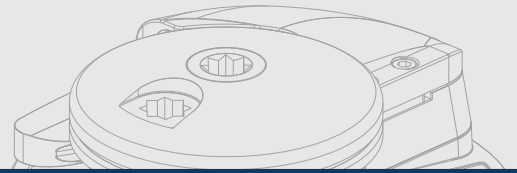


<h4>Compatible Gypsies</h4> 	<h4>Compatible Chains</h4> 	<h4>Combine with</h4>	<h4>Chain Stopper</h4> 	<h4>Chain Pipe</h4> 	<h4>Optional Accessories</h4> 	<p>Please refer to Deck Hardware & Accessories section for control and installation products (pages 76-89).</p>
-----------------------------------------------------------------------------------------------------------------	----------------------------------------------------------------------------------------------------------------	-----------------------	------------------------------------------------------------------------------------------------------------	---------------------------------------------------------------------------------------------------------	--------------------------------------------------------------------------------------------------------------------	---------------------------------------------------------------------------------------------------------------------

SX5

Vertical Windlass

3000 W / Hydraulic - 8cc



With Drum



Low Profile

Main Features

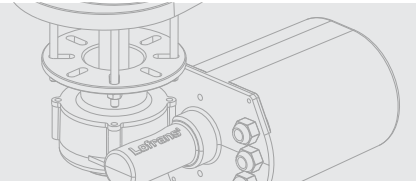
- Compact round base design
- Marine AISI 316L Stainless Steel construction
- Independent gypsy and drum operation
- Manual chain release
- Manual override
- Chain counter magnet pre-installed as standard
- Marine anodised aluminium gearbox
- Heavy-duty electric motor
- Chain pipe available as an option

Standard Equipment


- Dual direction solenoid pack
- Handle
- Gypsy for chain
- QR code card for Instruction Manual

SX5 Vertical Windlass

3000 W / Hydraulic - 8cc



Construction		AISI 316L Stainless Steel		
Motor Size		3000 W	Hydraulic - 8cc	
Power Supply (V)		24	-	
Maximum Pull (kg)		2800	2500	
Working Load (kg)		760	680	
Amps at Working Load (A)		210	-	
Line Speed at Working Load (m/min)		17	21	
Max. Line Speed (m/min)		33	21	
Net Weight with Drum (kg)		100	85	
Hydraulic Pressure (bar)		-	200	
Hydraulic Flow (lt/min)		-	32	

SX5		Type**	Code	Code
With Drum	12 mm, ISO 4565 / 13mm, DIN 766	cw	600089	602389
		ccw	600091	602390
	14 mm	ccw	636463	602392
Low Profile	12 mm, ISO 4565 / 13mm, DIN 766	cw	636296	*

For additional options on compatible gypsies, please refer to page 84.
 If you are interested in an alternative configuration not listed above or any other special product, please contact our team.
 Product codes with * are available upon request.

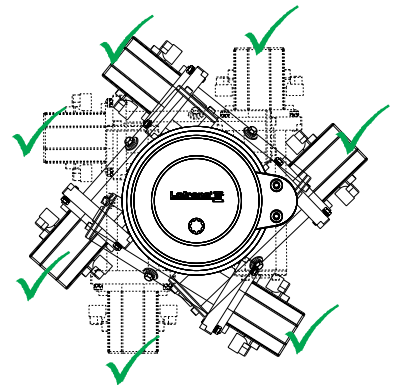
** cw: the windlass pulls clockwise. ccw: the windlass pulls counter clockwise

Dimensions (mm)

Model	A	B	C	D	E*	F	G	H	I	J	K	L
3000 W	378	60-90	186	Ø132	232	362	141	436	Ø264	Ø152	339	189

* Low Profile height dimensions. * For Hydraulic version dimensions please see page 90.

Installation positions



Compatible Gypsies	Compatible Chains	Combine with		Optional Accessories	Please refer to Deck Hardware & Accessories section for control and installation products (pages 76-89).
		Chain Stopper	Chain Pipe		

SX7

Vertical Windlass

3500 W / 4000 W /
Hydraulic - 8cc



Main Features

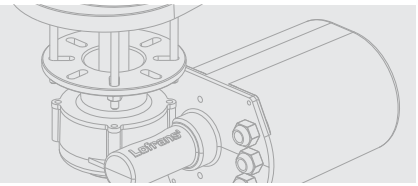
- Compact round base design
- Marine AISI 316L Stainless Steel construction
- Independent gypsy and drum operation
- Manual chain release
- Chain counter magnet pre-installed as standard
- Marine anodised aluminium gearbox
- Available electric (DC or AC) and hydraulic motors
- Chain pipe included in the package

Standard Equipment


- Dual direction solenoid pack
- Handle
- Gypsy for chain
- QR code card for Instruction Manual

SX7 Vertical Windlass

3500 W / 4000 W / Hydraulic - 8cc



Construction		AISI 316L Stainless Steel		
Motor Size		3500 W	4000 W	Hydraulic - 8cc
Power Supply (V)		24	230-400	-
Maximum Pull (kg)		3000	3100	3700
Working Load (kg)		800	840	1000
Amps at Working Load (A)		240	-	-
Line Speed at Working Load (m/min)		7	8	10
Max. Line Speed (m/min)		9	10	10
Net Weight with Drum (kg)		160	160	145
Hydraulic Pressure (bar)		-	-	200
Hydraulic Flow (lt/min)		-	-	32

SX7		Type**	Code	Code	Code
With Drum	12 mm, ISO 4565 / 13mm, DIN 766	cw	636459	636520	636526
	14 mm	cw	636518	636522	636524
	12 mm, ISO 4565 / 13mm, DIN 766	ccw	636464	636521	636527
	14 mm	ccw	636519	636523	636525

For additional options on compatible gypsies, please refer to page 84.
If you are interested in an alternative configuration not listed above or any other special product, please contact our team.

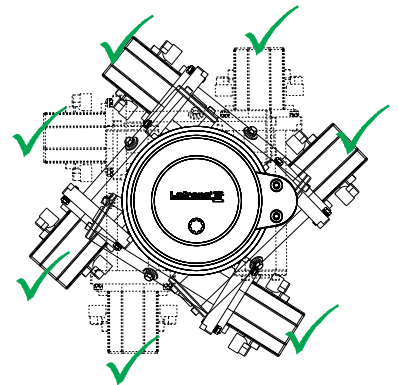
** cw: the windlass pulls clockwise. ccw: the windlass pulls counter clockwise

Dimensions (mm)

Model	A	B	C	D	G	H	I	J	K
3500 W	375	100-135	296,5	Ø132	152	482	Ø264	Ø222	576
4000 W									

* For Hydraulic version dimensions please see page 90.

Installation positions



Compatible Gypsies



Code	Gypsy Size
631042	12-13mm DIN 766
631065	14mm
631082	16mm ISO 4565
631088	16mm DIN 766

Combine with

Compatible Chains



Optional Accessories



Please refer to Deck Hardware & Accessories section for control and installation products (pages 76-89).

ERCOLE VERTICAL

Windlass

3500 W / 4000 W / 5500 W /
7500 W / Hydraulic - 11cc

RINA
Approved



Chain Roller

Chain Pipe

Main Features

- Under-deck compact dimensions
- Marine AISI 316L Stainless Steel construction
- High torque latest generation electric motor able to provide the power needed in all marine conditions
- Band brake to assist in chain control, thanks to an easy-to-manage large hand-wheel

- Special high-grip drum with independent rotation from the gypsy, for warping function
- Independent gypsy and drum operation
- Manual chain release
- Manual override to recover the chain and anchor in case of electrical failure
- Internal ratchet to prevent chain jams into the chain locker which could damage the deck
- Chain counter support integrated by the sensor inserted in the base and the magnet in the gypsy
- Available also in counter clockwise rotation
- High-efficiency Lofrans' planetary - worm screw gearbox made in anodised black aluminium with gears made in high mechanical strength material
- Heavy-duty electric motor
- Available electric (DC or AC) and hydraulic motors
- Available in custom versions

Standard Equipment

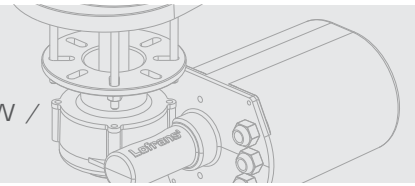
- Dual direction solenoid pack
- Handle
- Gypsy for chain
- QR code card for Instruction Manual

Please contact us for additional detailed documentation.

ERCOLE VERTICAL

Vertical Windlass


3500 W / 4000 W / 5500 W / 7500 W / Hydraulic - 11cc



Construction

AISI 316L Stainless Steel

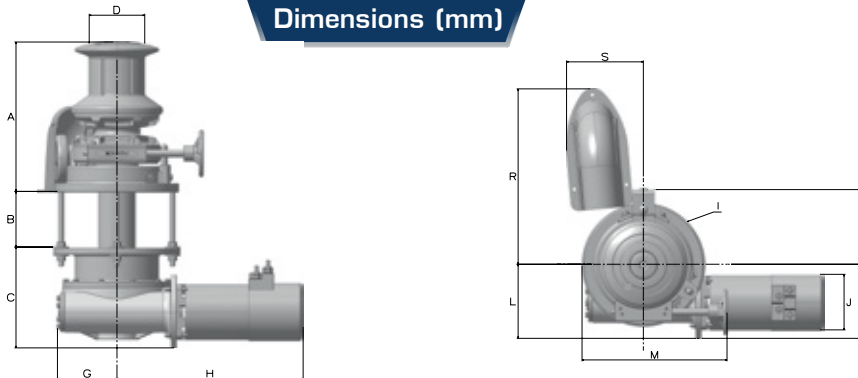
Motor Size	3500 W	4000 W	5500 W	7500 W	Hydraulic - 11cc
Power Supply (V)	24	230-400	230-400	400	-
Maximum Pull (kg)	4500	5500	6500	7500	6500
Working load (kg)	1075	1310	1550	2000	1550
Amps at Working Load (A)	120	9 - 14	9 - 14	20 - 25	-
Line Speed at Working Load (m/min)	8	12	12	12	12
Max Line Speed (m/min)	15	12	12	12	12
Net Weight with Drum (kg)	180	180	200	225	165
Hydraulic Pressure (bar)	-	-	-	-	200
Hydraulic Flow (lt/min)	-	-	-	-	40

ERCOLE VERTICAL		Type**	Code	Code	Code	Code	Code
			14 mm	600080	600082	*	*
With Drum	cw	16 mm ISO 4565	600310	600367	600409	*	602525
		17,5 mm STUDLINK	*	*	30003	636078***	*
		14 mm	600081	600083	*	*	602524
	ccw	16 mm ISO 4565	600308	600363	600408	*	602526
		17,5 mm STUDLINK	*	*	30004	636079***	*

For additional options on compatible gypsies, please refer to page 84.
 If you are interested in an alternative configuration not listed above or any other special product, please contact our team.
 Product codes with * are available upon request.

** cw: the windlass pulls clockwise. ccw: the windlass pulls counter clockwise. *** Deck thickness 100mm

Dimensions (mm)



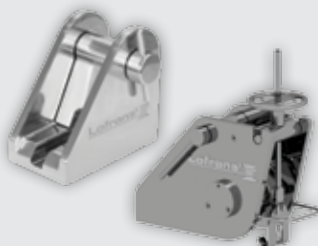
Model	A	B	C	D	G	H	I	J	L	M	N	P	R	S
3500 W	392	150	270	Ø150	160	502	Ø330	Ø158	205	420	195	205	min 490 - max 600	min 200 - max 230
4000 W						667								
5500 W						786								
7500 W														

* For Hydraulic version dimensions please see page 95.

Compatible Gypsies



Chain Stopper



Combine with

Kits

Code	Description
418428	KIT A - Seals
418475	KIT B - Screws
418499	KIT C - Pins
418556	KIT D - Circlips

Optional Accessories

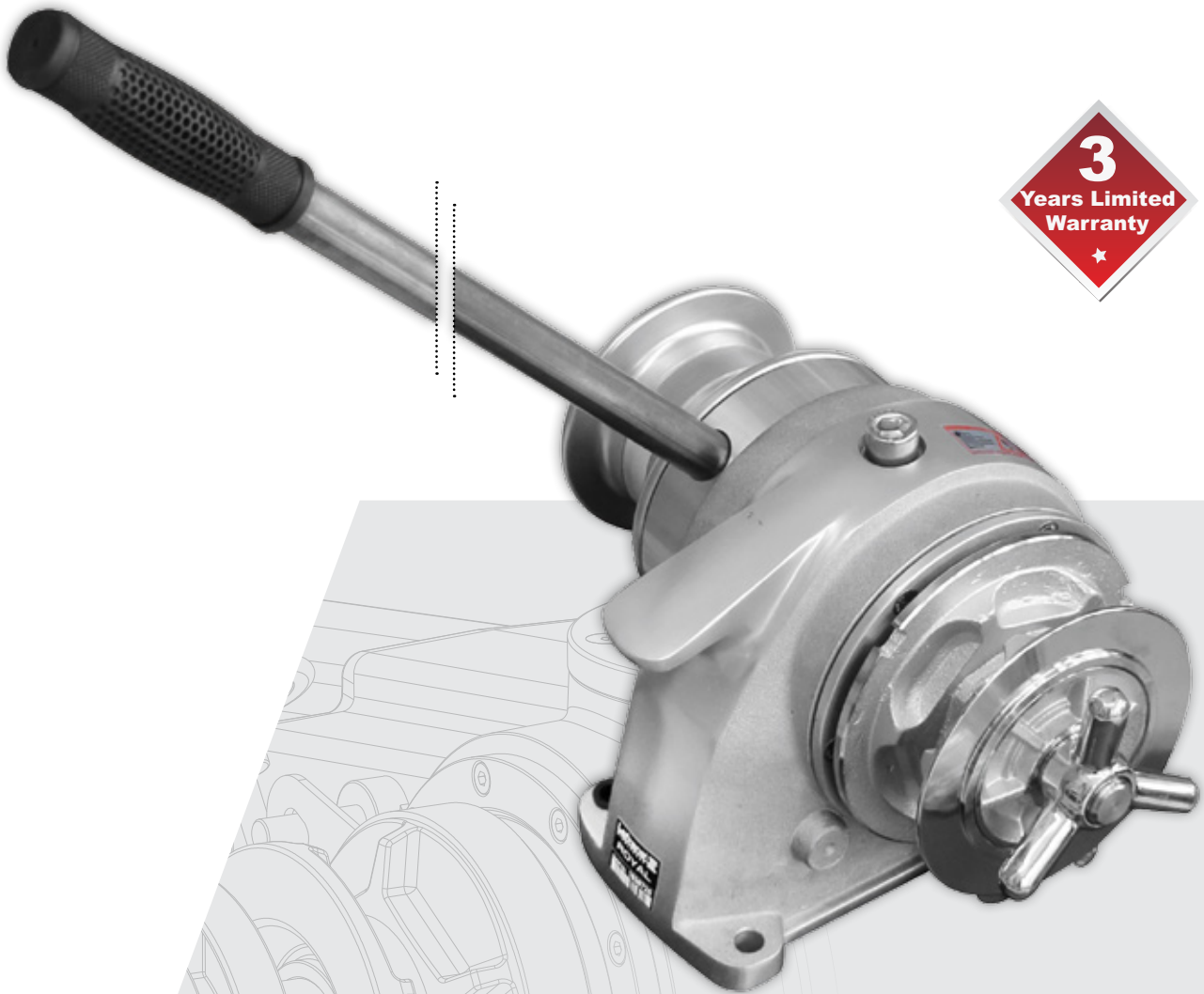


Please refer to Deck Hardware & Accessories section for control and installation products (pages 76-89).

ROYAL

Horizontal Windlass

Manual



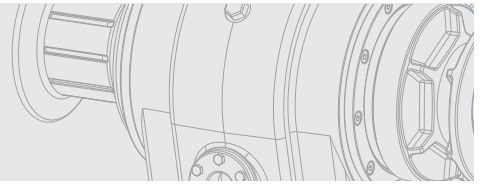
Main Features

- Marine anodised aluminium body
- Independent gypsy and drum operation
- Manual chain release
- Manual override


Standard Equipment

- Handle
- Gypsy for chain
- QR code card for Instruction Manual

ROYAL Horizontal Windlass Manual

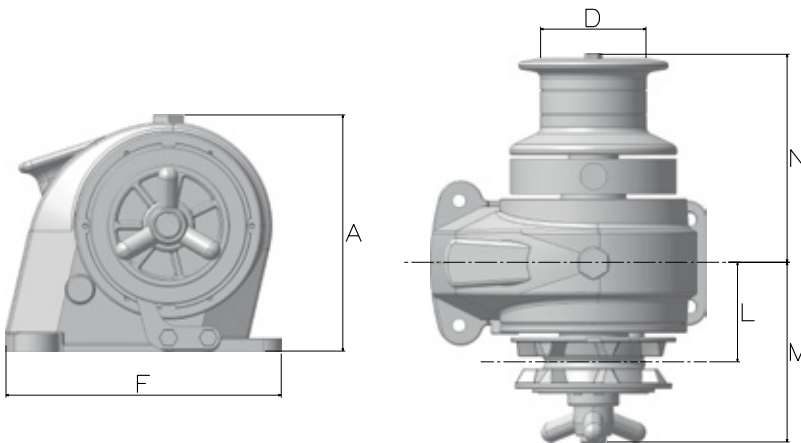


Construction	Anodised Aluminium
Motor Size	Manual
Power Supply (V)	-
Maximum Pull (kg)	400
Working Load (kg)	50
Amps at Working Load (A)	-
Line Speed at Working Load (m/min)	-
Max. Line Speed (m/min)	-
Net Weight (kg)	10

ROYAL	Code	
	 6 mm, ISO 4565 / DIN 766	187323
	7 mm, ISO 4565	600625
	8 mm, ISO 4565 / DIN 766	404725
	10 mm, DIN 766	600079
	10 mm, ISO 4565	220002

*For additional options on compatible gypsies, please check below.
If you are interested in an alternative configuration not listed above or any other special product, please contact our team.*

Dimensions (mm)



Model	A	D	F	L	M	N
Manual	192	Ø85	222	80	145	167

Combine with

Compatible Gypsies



Code	Gypsy Size
630968	6 mm, ISO 4565 / DIN 766
630978	7mm, ISO 4565 - 1/4" G40
630994	8 mm, ISO 4565 / DIN 766
631118	10mm, DIN 766
631011	10mm, ISO 4565 - 3/8" HT
631077	5/16" HT
631120	3/8" BBB
631122	3/8" PC



KEEP YOUR LOFRANS' AS GOOD AS NEW!

Maintenance Kit for ROYAL

Code I 72046

Please refer to Deck Hardware & Accessories section for control and installation products (pages 76-89).

LION 1000

Horizontal Windlass

700 W



Main Features

- Automatic free fall available as an option
- White painted anodised aluminium body
- Manual chain release
- Chain & rope management by the spring loaded arm
- Chain counter magnet pre-installed as standard
- IP67 motor cover

Standard Equipment

- Dual direction solenoid pack
- Handle
- Gypsy for chain & rope
- QR code card for Instruction Manual

LION 1000



Horizontal Windlass

700 W

Construction

White Anodised Aluminium

Motor Size	700 W
Power Supply (V)	12
Maximum Pull (kg)	575
Working Load (kg)	105
Amps at Working Load (A)	60
Line Speed at Working Load (m/min)	23
Max. Line Speed (m/min)	26
Net Weight (kg)	11

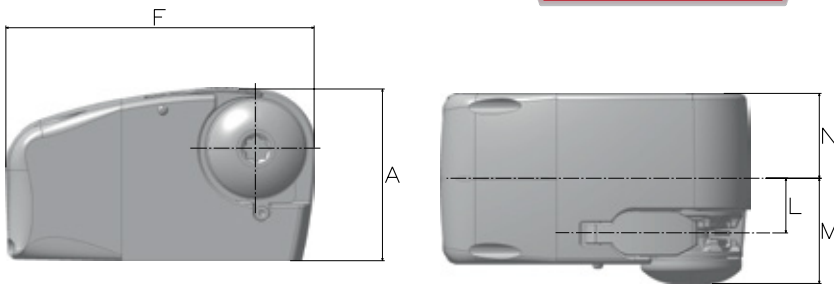
LION 1000					Code
	6 mm, ISO 4565		10-12 mm, 3-strand		636214
	8 mm, ISO 4565 / DIN 766		12 mm, 3-strand		636215
	6 mm, ISO 4565		10-12 mm, 3-strand		636216*
	8 mm, ISO 4565 / DIN 766		12 mm, 3-strand		636217*

*With automatic free fall installed.

For additional options on compatible gypsies, please check below.

If you are interested in an alternative configuration not listed above or any other special product, please contact our team.

Dimensions (mm)



Model	A	F	L	M	N
700 W	154	273	50	93	75

Combine with

Compatible Chains



Code	Chain Size	Pack (m)
72749	6 mm, ISO 4565 / DIN 766	30
72751	8 mm, ISO 4565 / DIN 766	30

More available packs (see pages 87)

Compatible Gypsies



Code	Gypsy Size
631005	6 mm, ISO 4565 / DIN 766
631007	7 mm, ISO 4565
636643	8 mm, ISO 4565 / DIN 766

Optional Accessories

- Foot Switch
- Control Switch
- Circuit Breaker
- Chain Counter
- Hand Held Control
- Radio Control



Please refer to Deck Hardware & Accessories section for control and installation products (pages 76-89).

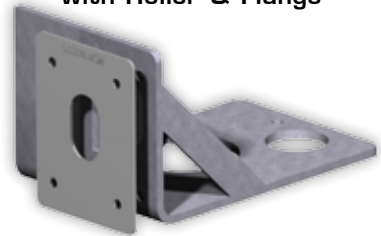
DORADO

Horizontal Windlass

500 W / 800 W



**Stern Windlass Support,
Stainless Steel 316,
with Roller & Flange**



Code I 72204



Main Features

- Marine anodised aluminium body
- Manual chain release
- Chain & rope management by the spring loaded arm
- Automatic free fall available as an option

Standard Equipment

- Dual direction solenoid pack
- Handle
- Gypsy for chain & rope
- QR code card for Instruction Manual

DORADO Horizontal Windlass

500 W / 800 W

Construction	Anodised Aluminium	
	500 W	800 W
Motor Size	500 W	800 W
Power Supply (V)	12	12
Maximum Pull (kg)	630	900
Working Load (kg)	95	125
Amps at Working Load (A)	65	80
Line Speed at Working Load (m/min)	18	20
Max. Line Speed (m/min)	24	25
Net Weight (kg)	10	11

DORADO	Type		Code	Code
	6 mm, ISO 4565	10-12 mm, 3-strand	409568	600048
	8 mm, ISO 4565 / DIN 766	12 mm, 3-strand	600212	409569

*For additional options on compatible gypsies, please check below.
If you are interested in an alternative configuration not listed above or any other special product, please contact our team.*

Dimensions (mm)

Model	A	C	F	J	L	M	N
500 W	130	152	200	Ø82	48	98	53
800 W	130	164	200	Ø94	48	98	53

Compatible Gypsies

Code	Gypsy Size
630974	6 mm, ISO 4565 / DIN 766
630984	7mm, ISO 4565
636642	8 mm, ISO 4565 / DIN 766

Optional Accessories

- Foot Switch
- Control Switch
- Circuit Breaker
- Chain Counter
- Hand Held Control
- Radio Control

KEEP YOUR LOFRANS' AS GOOD AS NEW!

Maintenance Kit for DORADO

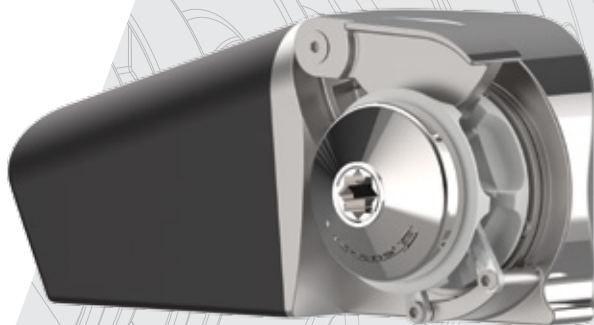
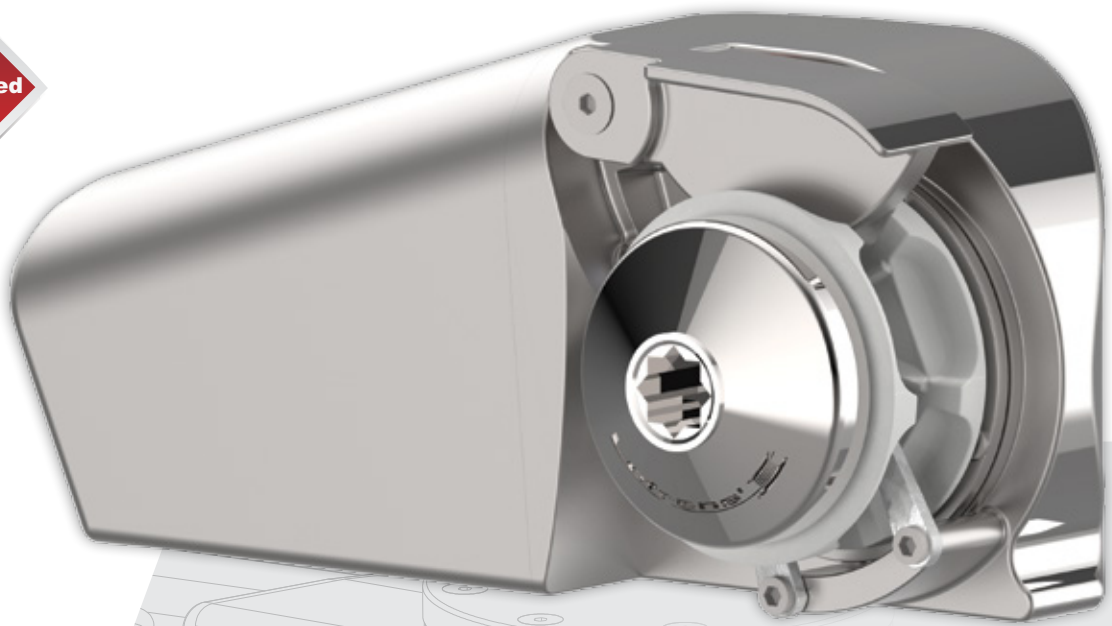
Code | 72047

Please refer to Deck Hardware & Accessories section for control and installation products (pages 76-89).

RAZZA

Horizontal Windlass

500 W / 800 W



Main Features

- Marine AISI 316L Stainless Steel construction
- Manual chain release
- Chain & rope management by the spring loaded arm
- IP67 motor cover
- Automatic free fall available as an option

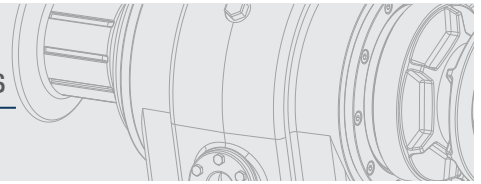
Standard Equipment

- Dual direction solenoid pack
- Handle
- Gypsy for chain & rope
- QR code card for Instruction Manual

RAZZA

Horizontal Windlass



500 W / 800 W



Construction

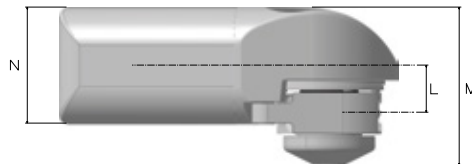
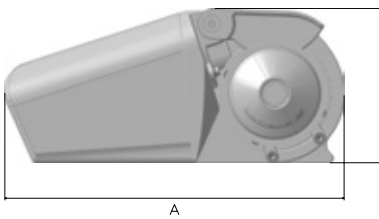
AISI 316L Stainless Steel

Motor Size	500 W	800 W
Power Supply (V)	12	12
Maximum Pull (kg)	630	900
Working Load (kg)	95	125
Amps at Working Load (A)	65	80
Line Speed at Working Load (m/min)	18	20
Max. Line Speed (m/min)	24	25
Net Weight (kg)	11	11

RAZZA					Code	Code
		6mm, ISO 4565	10-12 mm, 3-strand			636738
	8mm, ISO 4565 / DIN 766	12 mm, 3-strand			636739	636699

For additional options on compatible gypsies, please check below.
If you are interested in an alternative configuration not listed above or any other special product, please contact our team.

Dimensions (mm)



Model	A	F	L	M	N
500 W	319	145	44	149	109
800 W					

Combine with

Compatible Chains



Code	Chain Size	Pack (m)
72749	6 mm, ISO 4565 / DIN 766	30
72751	8 mm, ISO 4565 / DIN 766	30

More available packs (see pages 87)

Compatible Gypsies



Code	Gypsy Size
630974	6 mm, ISO 4565 / DIN 766
630984	7mm, ISO 4565
636642	8 mm, ISO 4565 / DIN 766

Optional Accessories

- Foot Switch
- Control Switch
- Circuit Breaker
- Chain Counter
- Hand Held Control
- Radio Control



Please refer to Deck Hardware & Accessories section for control and installation products (pages 76-89).

GECKO

Stern Windlass

600 W / 900 W



Main Features

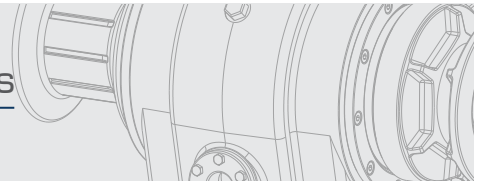
- Available in two different configurations, for installation in the port or starboard side of the transom
- IP67 protective cover for the motor
- Marine anodised aluminium gearbox
- Automatic free fall operation with the push of a button
- Automatic stop function for carefree anchoring
- For use with 12/ 14/ 16 mm 3-strand or leaded rope
- Compact design
- Easy installation which needs very limited space (the motor/gearbox can rotate up to 180° at 60° increments)


Standard Equipment

- Dual direction solenoid pack
- Handle
- Gypsy for rope
- QR code card for Instruction Manual
- Automatic stop

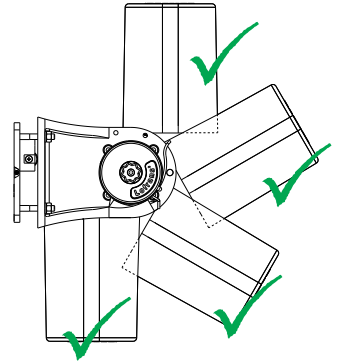
GECKO Horizontal Windlass

600 W / 900 W



Construction		Anodised Aluminium	
Motor Size		600 W	900 W
Power Supply (V)		12	12
Maximum Pull (kg)		630	700
Working Load (kg)		95	125
Amps at Working Load (A)		65	80
Line Speed at Working Load (m/min)		18	20
Max Line Speed (m/min)		24	25
Net Weight (kg)		9	10
GECKO	 12/14/16 mm, 3-strand or leaded rope	Code	Code
		636645	636633

Installation positions



Dimensions (mm)

Model	A	C	C	D
600 W	193	250	310	217
900 W				

Compatible Gypsies



Code	Gypsy Size
634877	12/14/16 mm, 3-strand rope

Combine with

Optional Accessories

- Foot Switch
- Control Switch
- Circuit Breaker
- Chain Counter
- Hand Held Control
- Radio Control



Please refer to Deck Hardware & Accessories section for control and installation products (pages 76-89).

CAYMAN

Horizontal Windlass

700 W / 1000 W



Main Features

- Marine anodised aluminium body
- Independent gypsy and drum operation
- Manual chain release
- Manual override
- IP67 motor cover
- Automatic free fall available as an option

Standard Equipment


- Dual direction solenoid pack
- Handle
- Gypsy for chain
- QR code card for Instruction Manual

CAYMAN

Horizontal Windlass

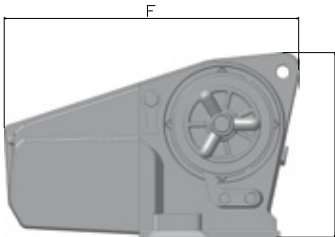
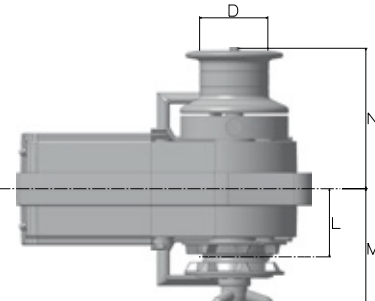
700 W / 1000 W

Construction		Anodised Aluminium			
Motor Size	700 W		1000 W		
Power Supply (V)	12	24	12	24	
Maximum Pull (kg)	1000	1010	1250	1325	
Working Load (kg)	100	135	170	170	
Amps at Working Load (A)	110	110	150	80	
Line Speed at Working Load (m/min)	21	25	16	17	
Max. Line Speed (m/min)	32	30	32	33	
Net Weight (kg)	24	24	25	25	

CAYMAN		Code	Code	Code	Code
	6 mm, ISO 4565 / DIN 766	600043	*	600153	600173
	8 mm, ISO 4565 / DIN 766	220273	600172	220279	600175
	10 mm, ISO 4565	600150	*	419732	600178
	10 mm, DIN 766	*	*	600165	600180

For additional options on compatible gypsies, please check below.
 If you are interested in an alternative configuration not listed above or any other special product, please contact our team.
 Product codes with * are available upon request.

Dimensions (mm)

Model	A	D	F	L	M	N
700 W	230	Ø85	370	85	150	175
1000 W	230	Ø85	370	85	150	175

Combine with

Compatible Gypsies



Code	Gypsy Size
630968	6 mm, ISO 4565 / DIN 766
630978	7 mm, ISO 4565 - 1/4" G40
630994	8 mm, ISO 4565 / DIN 766
631118	10 mm, DIN 766
631011	10 mm, ISO 4565 - 3/8" HT
631120	3/8" BBB
631122	3/8" PC
631077	5/16" HT

Compatible Chains



Code	Chain Size	Pack (m)
72749	6 mm, ISO 4565 / DIN 766	30
72751	8 mm, ISO 4565 / DIN 766	30
72753	10mm, ISO 4565	120
72319	10mm, DIN 766	30

More available packs (see pages 87)

Optional Accessories

- Foot Switch
- Control Switch
- Circuit Breaker
- Chain Counter
- Hand Held Control
- Radio Control



KEEP YOUR LOFRANS' AS GOOD AS NEW!



Maintenance Kit for CAYMAN & KOBRA

Code I 72048

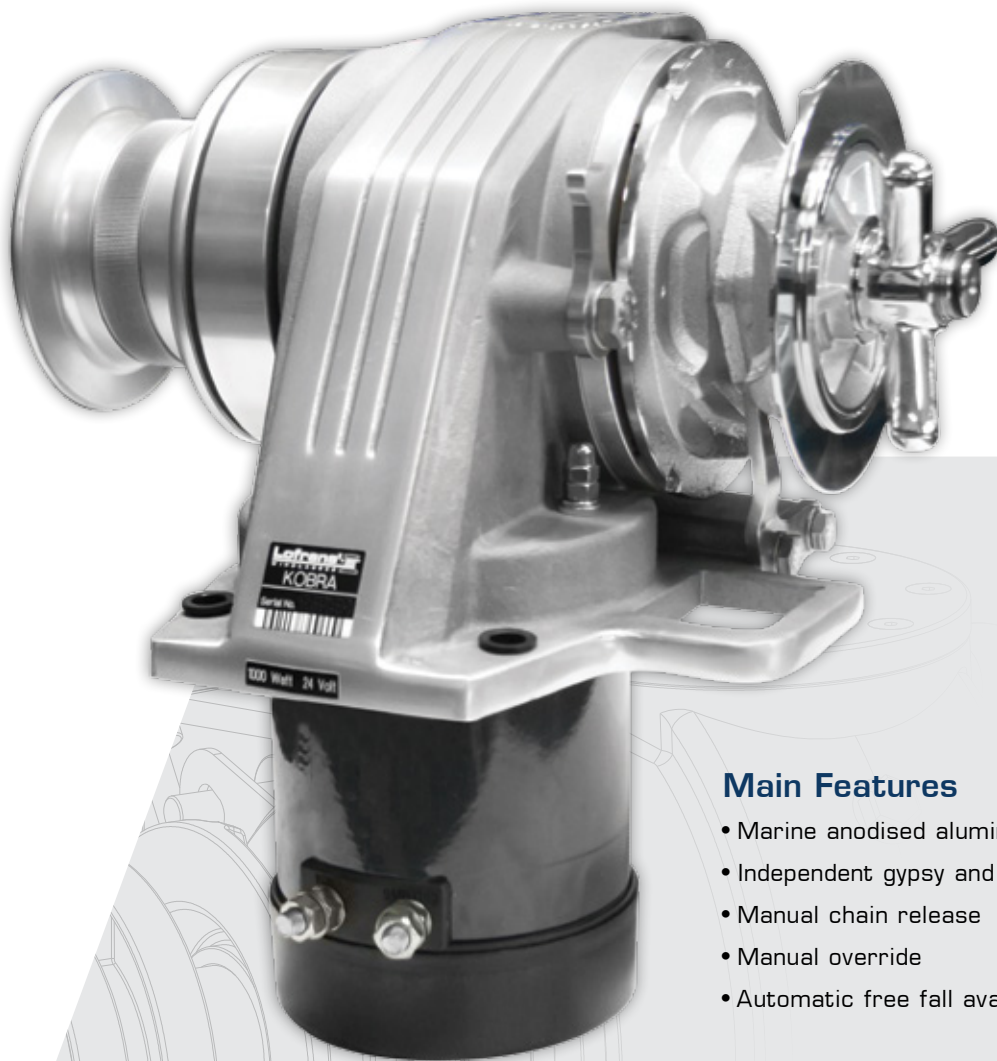
Please refer to Deck Hardware & Accessories section for control and installation products (pages 76-89).



KOBRA

Horizontal Windlass

1000 W



Main Features

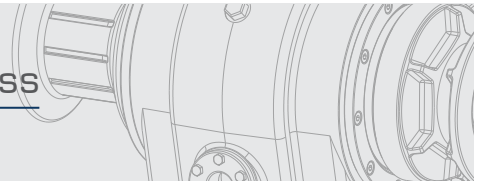
- Marine anodised aluminium body
- Independent gypsy and drum operation
- Manual chain release
- Manual override
- Automatic free fall available as an option


Standard Equipment

- Dual direction solenoid pack
- Handle
- Gypsy for chain
- QR code card for Instruction Manual

KOBRA Horizontal Windlass

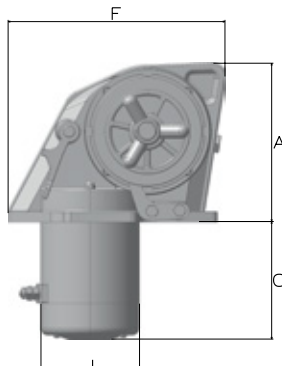
1000 W

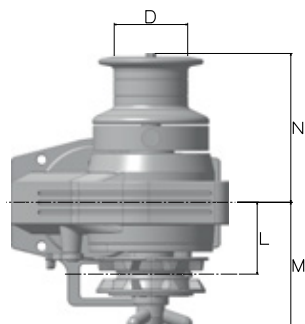


Construction		Anodised Aluminium	
Motor Size		1000 W	
Power Supply (V)		12	24
Maximum Pull (kg)		1250	1325
Working Load (kg)		170	170
Amps at Working Load (A)		150	80
Line Speed at Working Load (m/min)		16	17
Max. Line Speed (m/min)		32	33
Net Weight (kg)		21	21
KOBRA		Code	Code
	6 mm, ISO 4565 / DIN 766	600051	600513
	8 mm, ISO 4565 / DIN 766	220260	600514
	10 mm, ISO 4565	428747	471734
	10 mm, DIN 766	600052	220420

For additional options on compatible gypsies, please check below.
If you are interested in an alternative configuration not listed above or any other special product, please contact our team.

Dimensions (mm)





Model	A	C	F	D	J	L	M	N
1000 W	184	136	251	Ø85	Ø94	83	147	172


Compatible Gypsies



Code	Gypsy Size
630968	6 mm, ISO 4565 / DIN 766
630978	7 mm, ISO 4565 - 1/4" G40
630994	8 mm, ISO 4565 / DIN 766
631118	10 mm, DIN 766
631011	10 mm, ISO 4565 - 3/8" HT
631120	3/8" BBB
631122	3/8" PC
631077	5/16" HT

Combine with

Compatible Chains




Code	Chain Size	Pack (m)
72749	6 mm, ISO 4565 / DIN 766	30
72751	8 mm, ISO 4565 / DIN 766	30
72753	10mm, ISO 4565	120
72319	10mm, DIN 766	30

More available packs (see pages 87)

Optional Accessories

- Foot Switch
- Control Switch
- Circuit Breaker
- Chain Counter
- Hand Held Control
- Radio Control



KEEP YOUR LOFRANS' AS GOOD AS NEW!



Maintenance Kit for CAYMAN & KOBRA

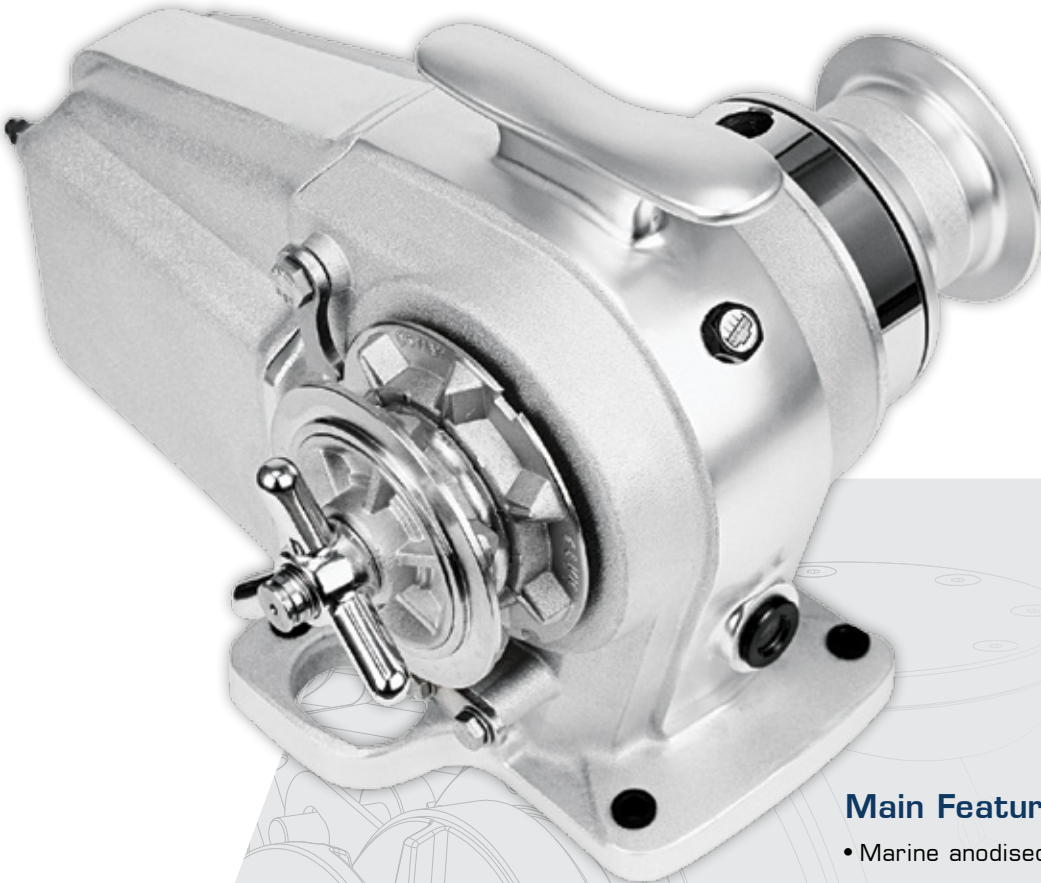
Code I 72048

Please refer to Deck Hardware & Accessories section for control and installation products (pages 76-89).

TIGRES

Horizontal Windlass

1500 W



Main Features

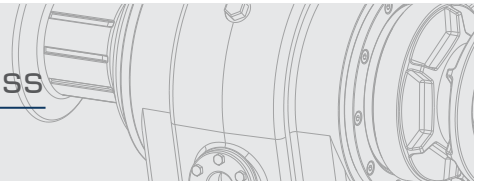
- Marine anodised aluminium body
- Independent gypsy and drum operation
- Manual chain release
- Manual override
- IP67 motor cover
- Automatic free fall available as an option
- Rope Kit is available for all models
- 48V models come with pre-installed Rope Kit as standard

Standard Equipment

- Dual direction solenoid pack
- Handle
- Gypsy for chain
- QR code card for Instruction Manual

TIGRES Horizontal Windlass

1500 W



Construction

Anodised Aluminium

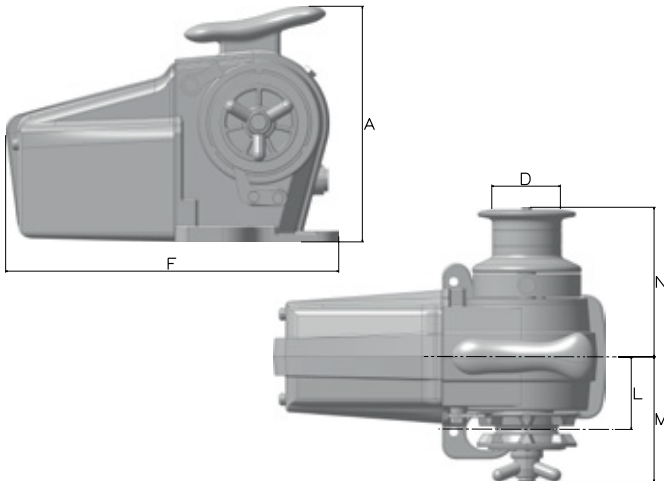
Motor Size	1500 W		
Power Supply (V)	12	24	48
Maximum Pull (kg)	1500	1590	1000
Working load (kg)	190	200	120
Amps at Working Load (A)	160	90	33
Line Speed at Working Load (m/min)	14	16	20
Max. Line Speed (m/min)	33	33	20
Net Weight (kg)	28	28	28

TIGRES	Compatible Rope Kit		Code	Code	Code
	8 mm, ISO 4565 / DIN 766	636566	418407	418409	636691**
	10 mm, ISO 4565	636616	470060	220290	636692**
	10 mm, DIN 766	-	600055	600059	*

For additional options on compatible gypsies, please refer to page 85.
If you are interested in an alternative configuration not listed above or any other special product, please contact our team.
Product codes with * are available upon request.

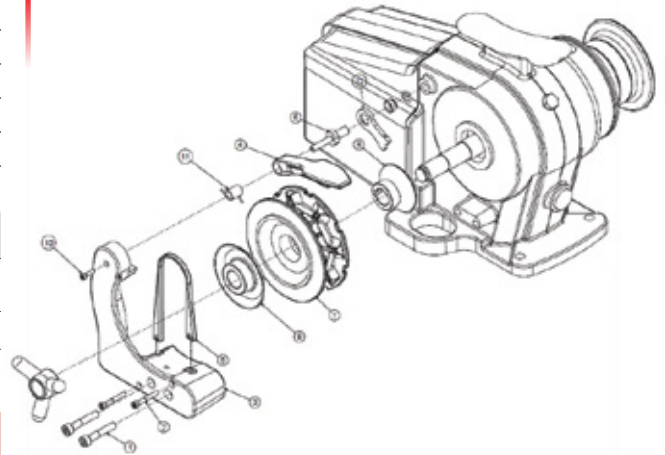
****48V models come with ROPE KIT pre-installed as standard**

Dimensions (mm)



Model	A	D	F	L	M	N
1500 W	290	Ø85	415	90	155	185

ROPE KIT for TIGRES



Code		
636566	8 mm ISO - 5/16" HT	14mm 3-strand or 8 plaited rope
636616	10 mm ISO-3/8" HT	16mm 3-strand or 8 plaited rope

Included in Package

- Screw socket head 8x45 (x2)
- Screw socket head 5x30 (x2)
- Screw socket head 4x16
- Spring
- Body
- Finger
- Stripper
- Finger Pin
- Gypsy
- Internal Cone Clutch

Nr.	Code	Description
1	04341	Hexagon Screw M8x45
2	634119	Hexagon Screw M6x40
3	05989	Body
4	05990	Finger
5	05991	Stripper
6	05992	Finger Pin
7	05993	Gypsy for Ø 8mm 5/16" or 10mm 3/8" chain
8	05994	Inner Cone Clutch
9	631842	Outer Cone Clutch
10	05159	Hexagon Screw M4x16
11	636100	Spring
12	635342	Pawl

Combine with

Compatible Gypsies



Optional Accessories



KEEP YOUR LOFRANS' AS GOOD AS NEW!



Maintenance Kit for TIGRES

Code I 72050

Please refer to Deck Hardware & Accessories section for control and installation products (pages 76-89).



FALKON

Horizontal Windlass

1700 W / 2000 W



Standard Type

Main Features

- Marine anodised aluminium body
- Independent gypsy and drum operation
- Manual chain release
- Manual override
- IP67 motor cover

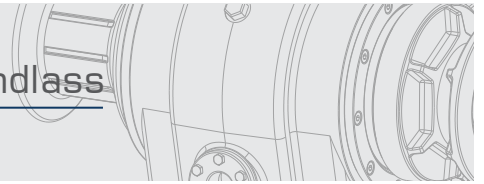
Standard Equipment

- Dual direction solenoid pack
- Handle
- Gypsy for chain
- QR code card for Instruction Manual

FALKON

Horizontal Windlass

1700 W / 2000 W



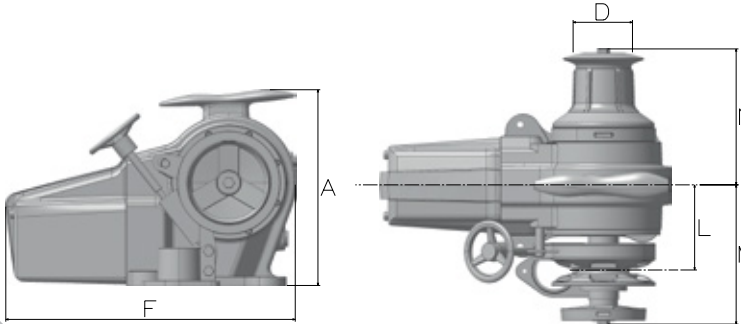
Construction		Anodised Aluminium		
Motor Size		1700 W		2000 W
Power Supply (V)		12	24	24
Maximum Pull (kg)		1700	1800	2640
Working Load (kg)		215	225	330
Amps at Working Load (A)		210	100	110
Line Speed at Working Load (m/min)		14	15	19
Max. Line Speed (m/min)		33	33	33
Net Weight (kg)		55	55	57

FALKON	Type		Code	Code	Code
	Standard (Drum port & Gypsy starboard)	10 mm, ISO 4565 / 3/8" HT	220293	418511	636670
		10 mm, DIN 766	600063	600067	*
		12 mm, ISO 4565 / 13mm, DIN 766	404732	404733	636606
		7/16" HT	*	*	636671
		1/2" HT	600446	600471	636672
	Gypsy port & Gypsy starboard	600432	600448	636673	

For additional options on compatible gypsies, please check below.

If you are interested in an alternative configuration not listed above or any other special product, please contact our team. Product codes with * are available upon request.


Dimensions (mm)



Model	A	D	F	L	M	N
1700 W	345	Ø104	500	147	240	235

Model	Type	A	D	F	L	M	N
2000 W	Standard	340	Ø104	500	147	240	235
	Gypsy port & Gypsy starboard	345	-	510	147/140	238	292

Compatible Gypsies




Code	Gypsy Size
631132	10 mm, DIN 766 - 3/8" BBB
636570	10 mm, ISO 4565 - 3/8" HT
636572	12-13mm, DIN 766
631050	13mm, DIN 764
631059	14mm
631033	1/2" BBB
631036	1/2" G40
631124	3/8" G40
631129	5/16" HT
636571	7/16" HT


Combine with

Optional Accessories

- Foot Switch
- Control Switch
- Circuit Breaker
- Chain Counter
- Hand Held Control
- Radio Control
- Chain Stopper



KEEP YOUR LOFRANS' AS GOOD AS NEW!



Maintenance Kit for FALKON

Code I 72051

Please refer to Deck Hardware & Accessories section for control and installation products (pages 76-89).

TITAN

Horizontal Windlass

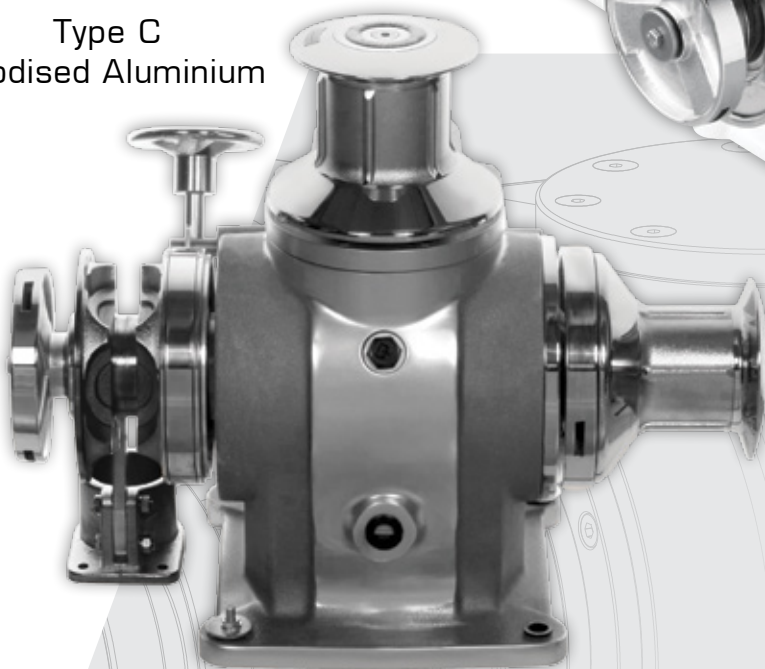
2300 W • 24V/ 3600 W • AC / Hydraulic - 9cc



Type B
White Anodised Aluminium



Type C
Anodised Aluminium



Main Features

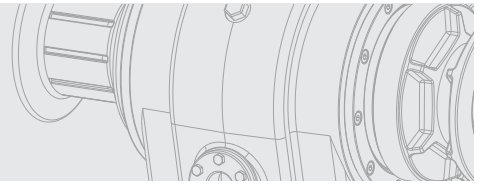
- Marine anodised aluminium body
- Available in white polyester coating
- Independent gypsy and drum operation
- Manual chain release
- Manual override
- IP67 motor cover

Standard Equipment

- Dual direction solenoid pack
- Handle
- Gypsy for chain
- QR code card for Instruction Manual

TITAN Horizontal Windlass

2300 W • 24V / 3600 W • AC / Hydraulic - 9cc



Construction

Anodised Aluminium

Motor Size	2300 W	3600 W	Hydraulic - 9cc
Power Supply (V) (Phase)	24	230 (1Ph)	-
Maximum Pull (kg)	2700	3400	3400
Working load (kg)	430	540	540
Amps at Working Load (A)	140	-	-
Line Speed at Working Load (m/min)	6	11	11
Max Line Speed (m/min)	8	11	11
Net Weight with Drum (kg)	115	115	95
Hydraulic Pressure (bar)	-	-	200
Hydraulic Flow (lt/min)	-	-	32

TITAN	Model**	Code	Code	Code	
TITAN	Type A	12 mm, ISO 4565 / 13mm, DIN 766	404724	600845	602423
		14 mm, DIN 766	600072	600847	602424
	Type B	12 mm, ISO 4565 / 13mm, DIN 766	428938	600880	602468
		14 mm, DIN 766	426415	600882	602469
	Type C	12 mm, ISO 4565 / 13mm, DIN 766	600895	*	602444

Construction

White Anodised Aluminium

Motor Size	2300 W	3600 W
Power Supply (V) (Phase)	24	230 (1Ph)
Maximum Pull (kg)	2700	3400
Working load (kg)	430	540
Amps at Working Load (A)	140	-
Line Speed at Working Load (m/min)	6	11
Max Line Speed (m/min)	8	11
Net Weight with Drum (kg)	115	115
Hydraulic Pressure (bar)	-	-
Hydraulic Flow (lt/min)	-	-

TITAN	Model**	Code	Code
TITAN	Type A	12 mm, ISO 4565 / 13mm, DIN 766	600839
		14 mm, DIN 766	602415
	Type B	12 mm, ISO 4565 / 13mm, DIN 766	600865
		14 mm, DIN 766	600866
	Type C	12 mm, ISO 4565 / 13mm, DIN 766	600896

Available also in Type D & E.

For additional options on compatible gypsies, please check the relevant table. If you are interested in an alternative configuration not listed above or any other special product, please contact our team.

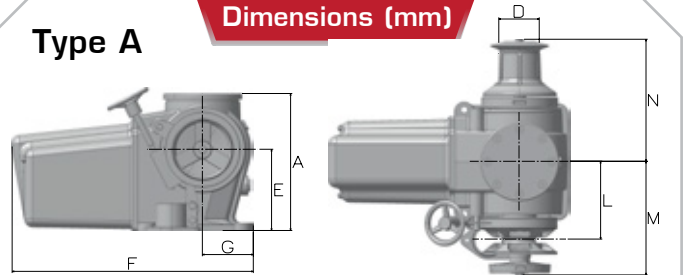
Product codes with * are available upon request.

**Windlass Configuration

Type A	Gypsy Starboard - Drum Portside
Type B	Gypsy Starboard - Gypsy Portside - Drum on top
Type C	Gypsy Starboard - Drum Portside - Drum on top
Type D	Gypsy Starboard - Drum on top
Type E	Gypsy Portside - Drum on top
Type F	Drum Starboard - Gypsy Portside

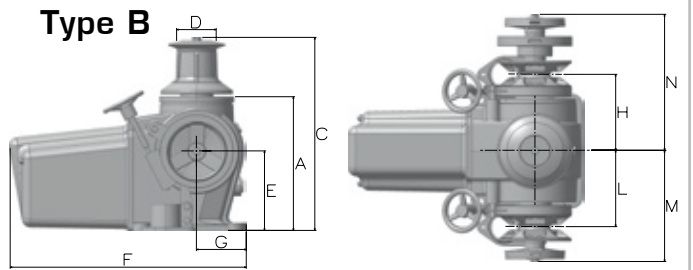
Type A

Dimensions (mm)



Model	A	B	E	F	G	L	M	N
2300W	330	Ø104	193	590	120	185	270	290
3600W								
Hydraulic								

Type B



Model	A	C	D	E	F	G	H	L	M	N
2300W	330	465	Ø104	193	590	120	185	185	270	330
3600W										
Hydraulic										

Combine with

Compatible Gypsies



Code	Gypsy Size
630996	8 mm, ISO 4565 / DIN 766
631132	10 mm, DIN 766
636570	10 mm, ISO 4565 - 3/8" HT
636572	12-13mm, DIN 766
631059	14mm
631033	1/2" BBB
631036	1/2" G40
631124	3/8" G40

Compatible Chains



Code	Chain Size	Pack (m)
72314	10mm, DIN 766	120
72753	10mm, ISO 4565	30
72755	12mm, ISO 4565	50
72408	14mm, ISO 4565 / DIN 766	200

More available packs (see pages 87)

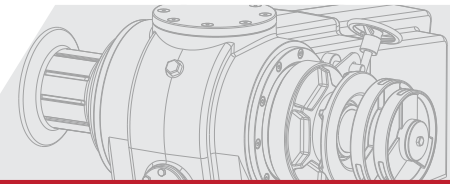
Optional Accessories

- Foot Switch
- Control Switch
- Circuit Breaker
- Chain Counter
- Hand Held Control
- Radio Control
- Chain Stopper



Please refer to accessories section for control and installation products (pages 76-89).

ERCOLE HORIZONTAL



Windlass

3500 W • 24V /
5500 W • AC / Hydraulic - 11cc

Type B -
White Anodised Aluminium



▲
Chain pipe included

Main Features

- Marine anodised aluminium body
- Available in white polyester coating
- Independent gypsy and drum operation
- Manual chain release
- Manual override
- IP67 motor cover

Standard Equipment

- Dual direction solenoid pack
- Handle
- Gypsy for chain
- QR code card for Instruction Manual

ERCOLE HORIZONTAL

3500 W • 24V / 5500 W • AC / Hydraulic - 11cc

Construction **White Anodised Aluminium**

Motor Size	3500 W	5500 W		Hydraulic - 11cc
Power Supply (V) (Phase)	24	230 (1Ph)	400 (3Ph)	-
Maximum Pull (kg)	4500	6500	6500	6500
Working load (kg)	810	1550	1550	1550
Amps at Working Load (A)	120	17-23	9-14	-
Line Speed at Working Load (m/min)	8	12	12	12
Max Line Speed (m/min)	15	12	12	12
Net Weight (kg)	200	230	230	180
Hydraulic Pressure (bar)	-	-	-	200
Hydraulic Flow (lt/min)	-	-	-	40

ERCOLE HORIZONTAL	Model**	Code			
		Code	Code	Code	Code
14 mm	Type A	403615	*	*	602509
	Type B	220317	600246	600256	602512
	Type C	403614	*	*	602515
	Type E	600274	*	*	*
16 mm	Type D	600282	*	*	*

Available also in Type E & F.

For additional options on compatible gypsies, please check below.

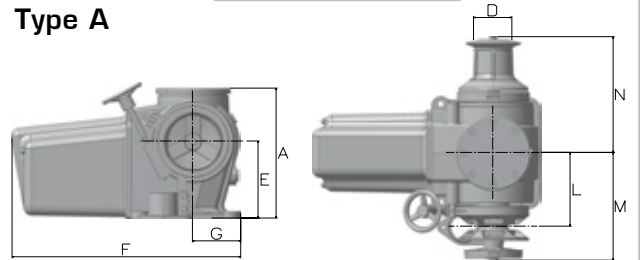
If you are interested in an alternative configuration not listed above or any other special product, please contact our team. Product codes with * are available upon request.

**Windlass Configuration

Type A	Gypsy Starboard - Drum Portside
Type B	Gypsy Starboard - Gypsy Portside - Drum on top
Type C	Gypsy Starboard - Drum Portside - Drum on top
Type D	Gypsy Starboard - Drum on top
Type E	Gypsy Portside - Drum on top
Type F	Drum Starboard - Gypsy Portside

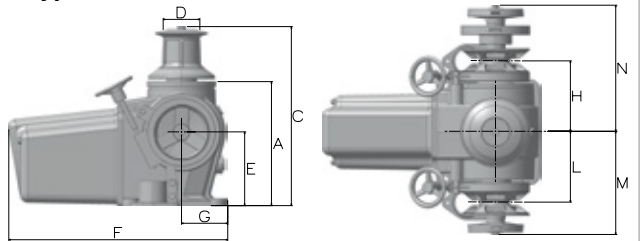
Dimensions (mm)

Type A



Model	A	D	E	F	G	L	M	N
3500 W Hydraulic	385	Ø150	230	690	158	230-250	390	340

Type B



Model	A	C	D	E	F	G	H	L	M	N
3500 W Hydraulic	390	555	Ø125	230	690	158	230-250	230-250	370	410

Combine with

Compatible Gypsies

Code	Gypsy Size	Code	Gypsy Size
631019	10mm, ISO 4565	631113	20mm
631039	12-13mm, DIN 766	631068	14 STUD LINK
631065	14mm	631092	16 STUD LINK
631085	13mm, DIN 764	631098	17,5 STUD LINK
631082	16mm, ISO 4565	636381	19mm
631088	16mm, DIN 766	631110	20 STUD LINK
631101	18mm, ISO 4565	631053	1/2" STUD LINK
631095	18mm, DIN 766	631056	13 ITALMET

Kits

Code	Description
418423	KIT A - Seals
418472	KIT B - Screws
418494	KIT C - Pins
418555	KIT D - Circlips

Optional Accessories

- Foot Switch
- Control Switch
- Circuit Breaker
- Chain Counter
- Hand Held Control
- Radio Control
- Chain Stopper



Please refer to accessories section for control and installation products (pages 76-89).

SUPER ERCOLE

Horizontal Windlass

3500 W • 24V /
5500 W • AC / Hydraulic - 11cc

Type B -
White Anodised Aluminium



RIIA
Approved



Main Features

- Marine anodised aluminium body
- Available in white polyester coating
- Independent gypsy and drum operation
- Manual chain release
- Manual override
- IP67 motor cover

Standard Equipment

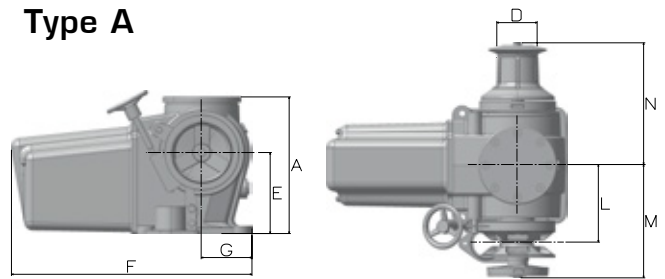
- Dual direction solenoid pack
- Handle
- Gypsy for chain
- QR code card for Instruction Manual

SUPER ERCOLE Horizontal Windlass

3500 W • 24V / 5500 W • AC
Hydraulic - 11cc

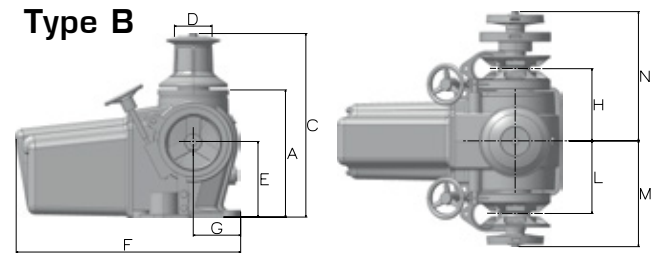
Dimensions (mm)

Type A



Model	A	D	E	F	G	L	M	N
2300W								
3600W	450	Ø150	260	870	200	255-280	450	375
Hydraulic								

Type B



Model	A	C	D	E	F	G	H	L	M	N
2300W										
3600W	450	610	Ø150	260	870	200	255-270	255-280	450	375
Hydraulic										

Construction

White Anodised Aluminium

Motor Size	3500 W	5500 W	Hydraulic - 11cc
Power Supply (V)	24	400	-
Maximum Pull (kg)	5000	7000	7000
Working load (kg)	870	1670	1670
Amps at Working Load (A)	190	-	-
Line Speed at Working Load (m/min)	8	12	12
Max Line Speed (m/min)	15	12	12
Net Weight (kg)	200	235	180
Hydraulic Pressure (bar)	-	-	200
Hydraulic Flow (lt/min)	-	-	40

SUPER ERCOLE	16 mm	Model**	Code	Code	Code
		Type A	404957	602501	602488
		Type B	426414	602504	602491
		Type C	602498	600668	602494
		Type D	600671	*	*

Available also in Type E & F.

For additional options on compatible gypsies, please check below.

If you are interested in an alternative configuration not listed above or any other special product, please contact our team. Product codes with * are available upon request.

**Windlass Configuration

Type A	Gypsy Starboard - Drum Portside
Type B	Gypsy Starboard - Gypsy Portside - Drum on top
Type C	Gypsy Starboard - Drum Portside - Drum on top
Type D	Gypsy Starboard - Drum on top
Type E	Gypsy Portside - Drum on top
Type F	Drum Starboard - Gypsy Portside

Combine with

Compatible Gypsies



Code	Gypsy Size
630986	5/8" HT
631019	10mm, ISO 4565
631039	12-13mm, DIN 766
631065	14mm
631085	13mm, DIN 764
631082	16mm, ISO 4565
631088	16mm, DIN 766
631101	18mm, ISO 4565
631095	18mm, DIN 766

Code	Gypsy Size
631113	20mm
631068	14 STUD LINK
631092	16 STUD LINK
631098	17,5 STUD LINK
636381	19mm
631110	20 STUD LINK
631053	1/2" STUD LINK
631056	13 ITALMET

Kits

Code	Description
427806	KIT A - Seals
418476	KIT B - Screws
418500	KIT C - Pins
418575	KIT D - Circlips

Optional Accessories

- Foot Switch
- Control Switch
- Circuit Breaker
- Chain Counter
- Hand Held Control
- Radio Control
- Chain Stopper



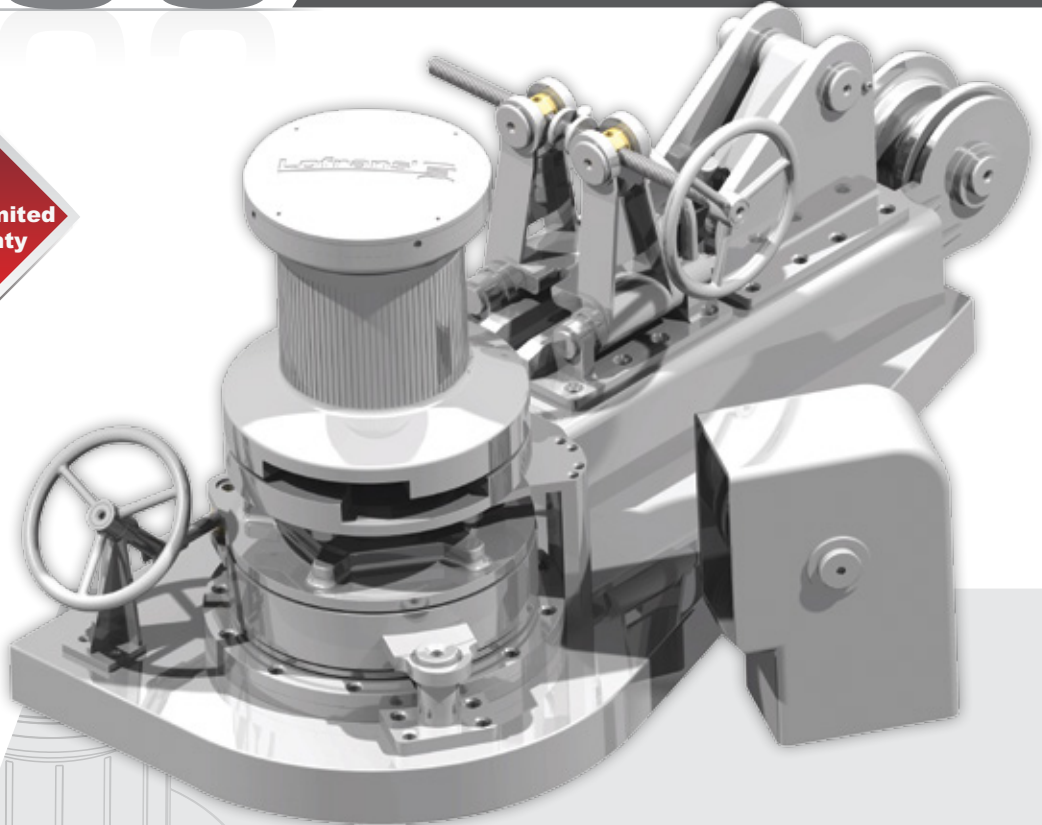
Please refer to Deck Hardware & Accessories section for control and installation products (pages 76-89).

ZEUS

Vertical Windlass



Meets the specifications of:

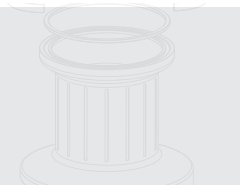


Main Features

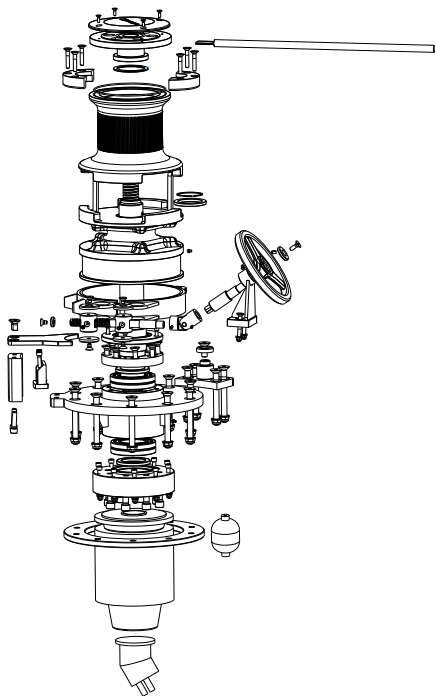
- Full customisation of all parts to meet your needs for boats from 150 to 425 feet / 45 to 130 metres
- Marine AISI 316L Stainless Steel visible parts (upper deck windlass section)
- Independent operation of gypsy and capstan
- High-torque planetary gearbox
- 42 mm stud-link chain & 12.000 kg max. pull
- AC or HYD high-torque motors of the latest generation for all marine conditions



The ULTIMATE ANCHORING SOLUTION for MEGA YACHTS



Model Type ZEUS	Gypsy For Stud-link Chain (mm)	Control Box	Line Speed at W.L.	Max Line Speed	Maximum Pull (kg)	Working Load (kg)	Motor Size (kW)
5500 AC / HYD	20	Switch-board available separately	11 m/min	19 m/min	5000	2100	5,5
5500 AC / HYD	22				5400	3000	7,5
5500 AC / HYD	24				6000	3600	9
7500 AC / HYD	24				7700	5500	11
7500 AC / HYD	26				8000	5500	11
7500 AC / HYD	28				8500	7000	15
9500 AC / HYD	28				9200	7000	15
9500 AC / HYD	30				9200	7000	15
9500 AC / HYD	32				10500	9000	18,2
12000 AC / HYD	32				12600	10200	22
12000 AC / HYD	34				12600	10200	22



CUSTOMISED SOLUTIONS

- Dedicated Project Manager
- Highly-skilled R&D team
- Direct & effective communication
- Customised parts

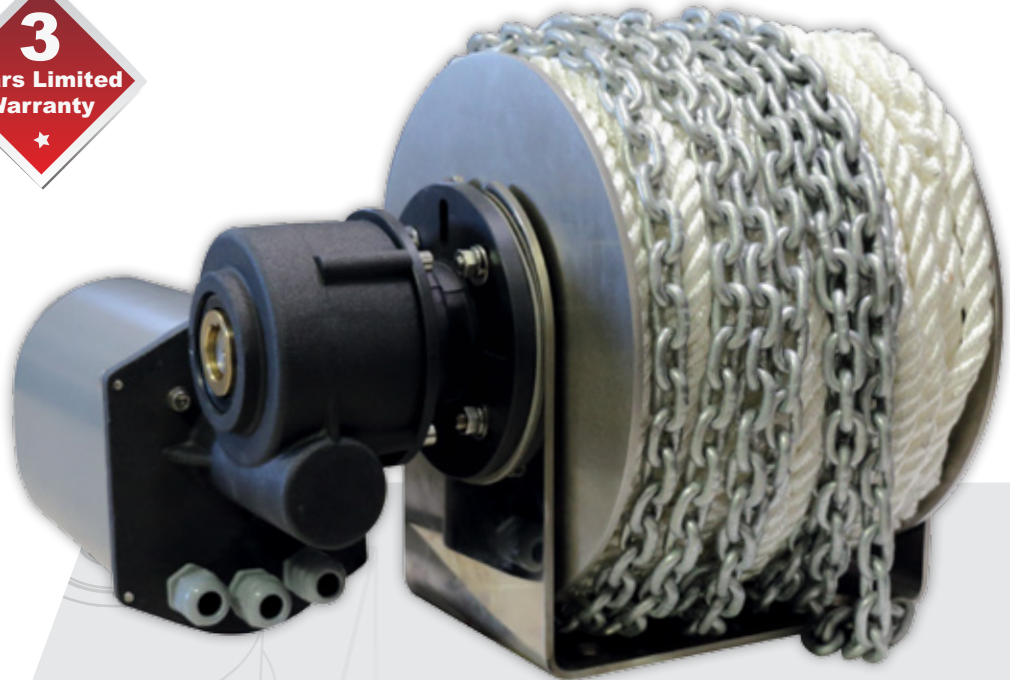


Capstans

DRUM WINCH

Multifunctional Winches

1000 W



Main Features

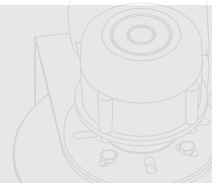
- Fast and easy rope & chain anchoring for boats up to 40 feet / 12 metres
- Marine AISI 316 Stainless Steel drum, base & backing plate
- Anodised aluminium gear case
- Heavy-duty electric motor and gearbox
- IP67 motor cover
- Gearbox with 8 adjustable positions

Standard Equipment

- Drum winch assembly
- Reversing solenoid
- Rocker switch
- Circuit breaker
- Backing plate
- Fixing hardware
- 70 metres of rope (Ø12mm 3-strand)
- 8 metres of chain (Ø6mm)

DRUM WINCH Multifunctional Winches

1000 W



Construction	AISI 316 Stainless Steel
Motor Size	1000 W
Power Supply (V)	12
Maximum Pull-Empty Drum (Kg)	900
Maximum Pull-Full Drum (Kg)	220
Amps at Working Load (A)	135
Max. Retrieval Rate (m/min)	45
Max. Fall Rate (m/min)	50
Rope-chain Capacity (m) <i>(12mm nylon three strand rope / 6mm chain)</i>	70 / 8
Net Weight (Kg)	19
Code	636690

Dimensions (mm)

Model	A	B	C	D
1000 W	396	295	421	416

Control Boxes

Circuit Breakers

Included Ropes

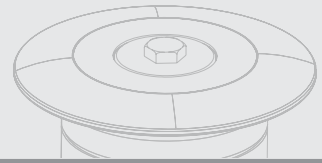
Compatible Chains

Control Switch

Please refer to Deck Hardware & Accessories section for control and installation products (pages 76-89).

T500

T700



Capstan



Chrome
Plated

Anodised
Aluminium



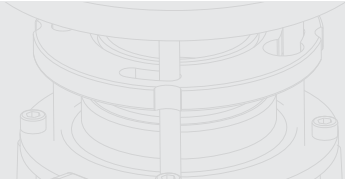
Main Features

- Marine anodised aluminium & chrome plated construction
- IP67 motor cover
- Marine anodised aluminium gearbox
- Control box included in the package

Standard Equipment

- Dual direction solenoid pack
- QR code card for Instruction Manual

T500-T700 Capstan



Construction

Chrome Plated

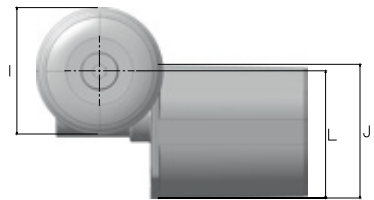
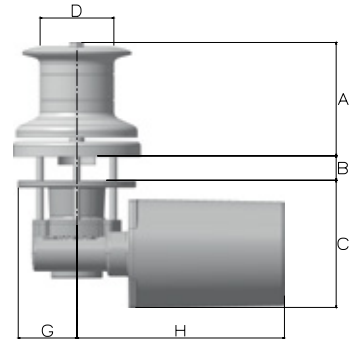
Model	T500	T700	
Motor Size	500 W	700 W	
Power Supply (V)	12	12	24
Maximum Pull (kg)	670	850	900
Working Load (kg)	85	115	125
Amps at Working Load (A)	75	110	50
Line Speed at Working Load (m/min)	23	20	23
Max Line Speed (m/min)	26	30	30
Net Weight (kg)	11	15	15
Code	409130	220006	418159

Construction

Anodised Aluminium

Model	T500	T700	
Motor Size	500 W	700 W	
Power Supply (V)	12	12	24
Maximum Pull (kg)	630	850	900
Working Load (kg)	85	115	125
Amps at Working Load (A)	75	110	50
Line Speed at Working Load (m/min)	23	20	23
Max Line Speed (m/min)	26	30	30
Net Weight (kg)	9	15	15
Code	409563	411129	600779

Dimensions (mm)



Model	A	B	C	D	G	H	I	J	L
T500	90	18-30	111	Ø60	55	236	Ø114	110	121
T700 Anodised Aluminium	135	25-40	150	Ø92	62	256	Ø156	134	157
T700 Chrome Plated							Ø160		

Combine with

KIT A - SEALS

Code	For Capstans
418410	T500
418411	T700 - T1000

KIT C - PINS

Code	For Capstans
418483	T500
418486	T700

KIT B - SCREWS

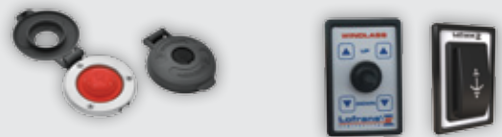
Code	For Capstans
418446	T500
418410	T500
418448	T700

KIT D - CIRCLIPS

Code	For Capstans
418512	T500
418513	T700 - T1000

Optional Accessories

- Foot Switch
- Control Switch
- Circuit Breaker
- Hand Held Control
- Radio Control

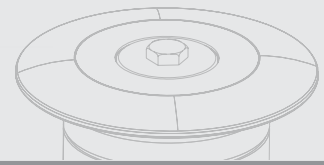


Please refer to Deck Hardware & Accessories section for control and installation products (pages 76-89).

T1000

T1500

T1700



Capstan

Chrome Plated



Anodised Aluminium



Main Features

- Marine anodised aluminium & chrome plated construction
- IP67 motor cover
- Marine anodised aluminium gearbox
- Control box included in the package

Standard Equipment

- Dual direction solenoid pack
- QR code card for Instruction Manual

T1000-T1500-T1700 Capstan

Construction	Chrome Plated					
	T1000		T1500		T1700	
Model	1000 W		1500 W		1700 W	
Motor Size	1000 W		1500 W		1700 W	
Power Supply (V)	12	24	12	24	12	24
Maximum Pull (kg)	1000	1060	1200	1270	1600	1695
Working Load (kg)	150	160	165	165	200	215
Amps at Working Load (A)	135	70	150	75	180	90
Line Speed at Working Load (m/min)	20	23	17	19	14	15
Max Line Speed (m/min)	40	40	40	40	32	32
Net Weight (kg)	21	21	27	27	30	30
Code	417946	187324	220014	418161	472407	187326

Construction	Anodised Aluminium					
	T1000		T1500		T1700	
Model	1000 W		1500 W		1700 W	
Motor Size	1000 W		1500 W		1700 W	
Power Supply (V)	12	24	12	24	12	24
Maximum Pull (kg)	1000	1060	1200	1270	1600	1695
Working Load (kg)	150	160	165	165	200	215
Amps at Working Load (A)	135	70	150	75	180	90
Line Speed at Working Load (m/min)	20	23	17	19	14	15
Max Line Speed (m/min)	40	40	40	40	32	32
Net Weight (kg)	16	16	18	18	25	25
Code	409564	409567	600058	600062	600066	600069

Dimensions (mm)

Model	A	B	C	D	G	H	I	J	L
T1000 Anodised Aluminium	135	25-40	150	Ø91	62	256	Ø156	134	157
T1000 Chrome Plated							Ø160		
T1500 Anodised Aluminium	162	50-70	160	Ø91	73	236	Ø156	165	157
T1500 Chrome Plated				Ø104			Ø191		
T1700	162	50-70	165	Ø104	90	300	Ø191	127	140

Combine with

KIT A - SEALS

Code	For Capstans
418411	T700 - T1000
418422	T1500 - T1700

KIT C - PINS

Code	For Capstans
418487	T1500 - T1700

KIT D - CIRCLIPS

Code	For Capstans
418513	T700 - T1000
418514	T1500 - T1700

Optional Accessories

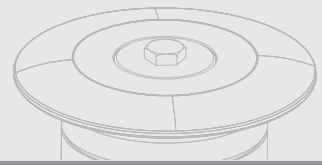
- Foot Switch
- Control Switch
- Circuit Breaker
- Hand Held Control
- Radio Control



Please refer to Deck Hardware & Accessories section for control and installation products (pages 76-89).

T2000

T2500



Capstan



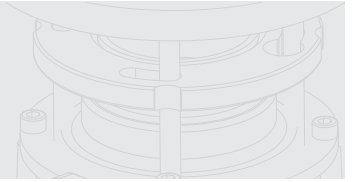
Main Features

- Chrome plated construction
- Heavy-duty electric motor
- Marine anodised aluminium gearbox

Standard Equipment

- Dual direction solenoid pack
- QR code card for Instruction Manual

T2000-T2500 Capstan



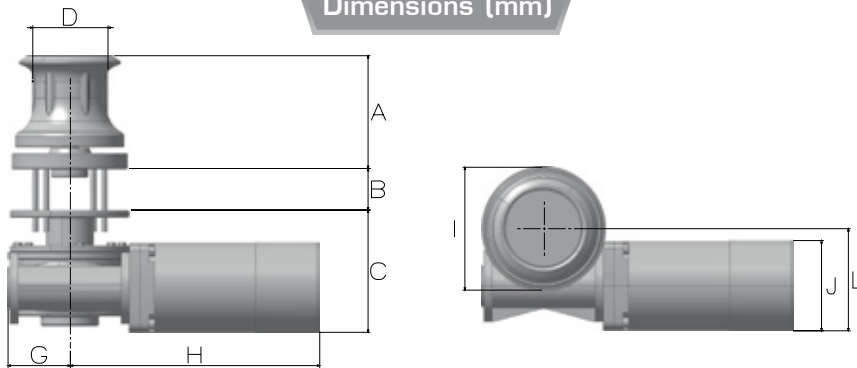
Construction Material

Chrome Plated

Model	T2000			T2500			
	2200 W	2300 W	Hydraulic - 9cc	2200 W	2700 W	Hydraulic - 9cc	
Motor Size							
Type**	CW	CW	CCW	CW	CW	CW	
Power Supply (V)	230-400	24	24	-	230-400	24	-
Maximum Pull (kg)	2200	2000	2000	2500	2200	2400	2500
Working Load (kg)	595	545	545	680	595	650	680
Amps at Working Load (A)	-	180	180	-	-	210	-
Line Speed at Working Load (m/min)	15	15	15	15	15	15	15
Max Line Speed (m/min)	15	31	31	15	15	31	15
Net Weight (kg)	52	52	52	40	52	53	40
Hydraulic Pressure (bar)	-	-	-	200	-	-	200
Hydraulic Flow (lt/min)	-	-	-	32	-	-	32
Code	600071	404967	600729	602140	600070	476239	602168

**cw: the capstan pulls clockwise. ccw: the capstan pulls counter clockwise

Dimensions (mm)



Model	A	B	C	D	G	H	I	J	L
T2000	190	60-90	212	Ø125	105	420	Ø191	Ø152	176
T2500	191	90-130	212	Ø125	105	420	Ø230	Ø152	172

KITS

Code	Description
418399	KIT A - Seals
418488	KIT C - Pins
418515	KIT D - Circlips

Combine with

Optional Accessories

- Foot Switch
- Control Switch
- Circuit Breaker
- Hand Held Control
- Radio Control

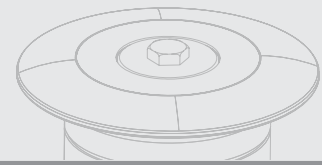


Please refer to Deck Hardware & Accessories section for control and installation products (pages 76-89).

ST1000

ST1500

ST1700



Capstan
Stainless Steel



Main Features

- Marine AISI 316L Stainless Steel construction
- IP67 motor cover
- Marine anodised aluminium gearbox
- Control box included in the package

Standard Equipment

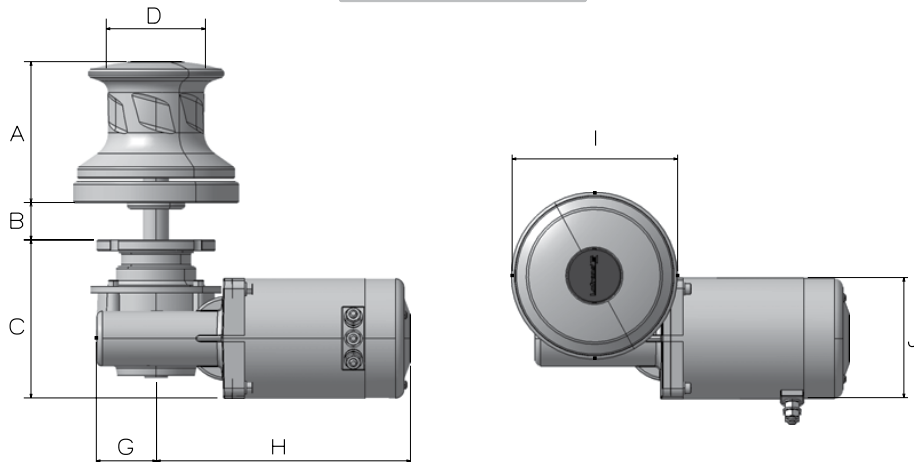
- Dual direction solenoid pack
- QR code card for Instruction Manual

ST1000-ST1500-ST1700

Capstan

Construction	AISI 316L Stainless Steel		
Model	ST1000	ST1500	ST1700
Motor Size	1000 W	1500 W	1700 W
Power Supply (V)	24	24	24
Maximum Pull (kg)	1060	1270	1695
Working Load (kg)	160	165	215
Amps at Working Load (A)	70	75	90
Line Speed at Working Load (m/min)	23	19	15
Max Line Speed (m/min)	40	40	32
Net Weight (kg)	21	27	30
Code	636297	636298	636299

Dimensions (mm)



Model	A	B	C	D	G	H	I	J	L
ST1000	134	25-40	150	Ø91	62	256	Ø157	Ø134	157
ST1500	164	50-70	160	Ø97	73	236	Ø170	Ø165	157
ST1700	164	50-70	165	Ø97	90	300	Ø170	Ø127	140

Optional Accessories

- Foot Switch
- Control Switch
- Circuit Breaker
- Hand Held Control
- Radio Control

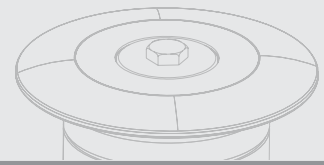


Combine with

Please refer to Deck Hardware & Accessories section for control and installation products (pages 76-89).

ST2000

ST2500



Capstan
Stainless Steel



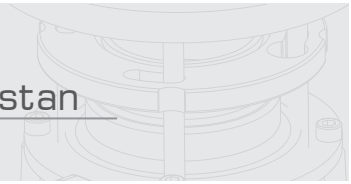
Main Features

- Marine AISI 316L Stainless Steel construction
- Heavy-duty electric motor
- Marine anodised aluminium gearbox

Standard Equipment

- Dual direction solenoid pack
- QR code card for Instruction Manual

ST2000-ST2500 Capstan



Construction	AISI 316L Stainless Steel				
Model	ST2000		ST2500		
Motor Size	2300 W		2200 W	2700 W	Hydraulic - 9cc
Type**	cw	ccw	cw	cw	cw
Power Supply (V)	24	24	230-400	24	-
Maximum Pull (kg)	2000	2000	2200	2400	2500
Working Load (kg)	545	545	595	650	680
Amps at Working Load (A)	180	180	-	210	-
Line Speed at Working Load (m/min)	15	15	15	15	15
Max Line Speed (m/min)	31	31	15	31	15
Net Weight (kg)	52	52	52	53	40
Hydraulic Pressure (bar)	-	-	-	-	200
Hydraulic Flow (lt/min)	-	-	-	-	32
Code	636300	636301	636302	636303	636304

** cw: the capstan pulls clockwise. ccw: the capstan pulls counter clockwise

Dimensions (mm)

Model	A	B	C	D	G	H	I	J	L
ST2000	187	60-90	212	Ø110	105	420	Ø190	Ø152	176
ST2500	194	60-90	212	Ø110	105	420	Ø255	Ø152	172

Optional Accessories

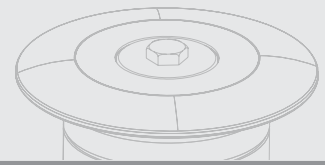
- Foot Switch
- Control Switch
- Circuit Breaker
- Hand Held Control
- Radio Control

Combine with

Please refer to Deck Hardware & Accessories section for control and installation products (pages 76-89).

ST3000

ST4000



Capstan

Stainless Steel



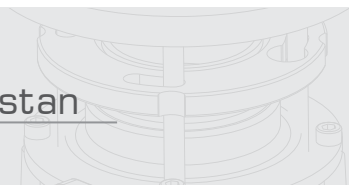
Main Features

- Marine AISI 316L Stainless Steel construction
- Heavy-duty electric motor
- Marine anodised aluminium gearbox

Standard Equipment

- Dual direction solenoid pack
- QR code card for Instruction Manual

ST3000-ST4000 Capstan

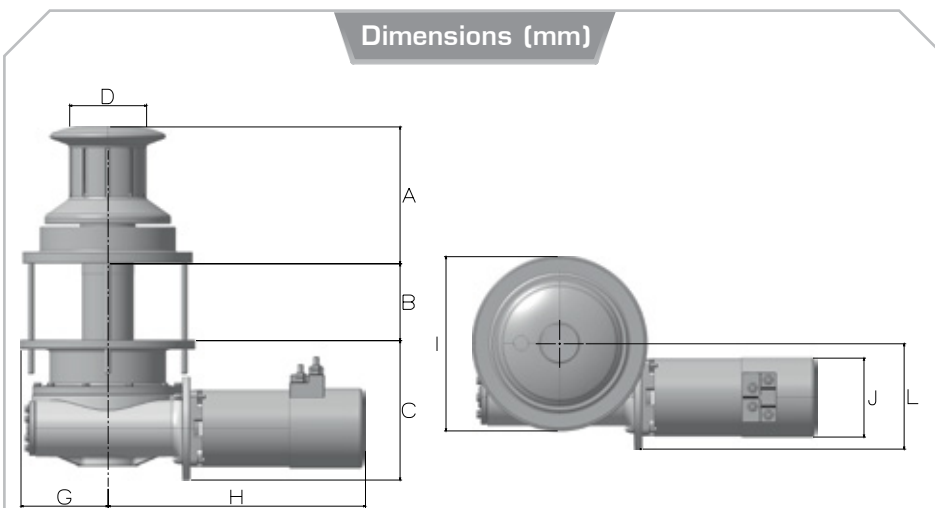


Construction

AISI 316L Stainless Steel

Model	ST3000				ST4000			
	2200 W	3000 W	3600 W	Hydraulic - 9cc	3500 W	4000 W	5000 W	Hydraulic - 11cc
Power Supply (V)	400	24	400	-	24	400	400	-
Maximum Pull (kg)	3000	3000	3500	2500	4500	5000	5500	5500
Working Load (kg)	815	600	950	680	690	850	1550	1550
Amps at Working Load (A)	-	210	210	-	215	-	-	-
Line Speed at Working Load (m/min)	16	14	14	17	10	10	11	11
Max Line Speed (m/min)	16	27	27	17	15	10	11	11
Net Weight (kg)	75	75	75	40	120	120	105	105
Hydraulic Pressure (bar)	-	-	-	200	-	-	-	200
Hydraulic Flow (lt/min)	-	-	-	32	-	-	-	40
Code	600767	602187	602196	602189	600077	600771	423284	636041

Dimensions (mm)



Model	A	B	C	D	G	H	I	J	L
ST3000	206	60-90	190	Ø150	142	436	Ø264	Ø152	190
ST4000	267	150	272	Ø150	170	502	Ø330	Ø154	206

Combine with

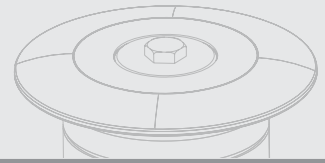
Optional Accessories

- Foot Switch
- Control Switch
- Circuit Breaker
- Hand Held Control
- Radio Control



Please refer to Deck Hardware & Accessories section for control and installation products (pages 76-89).

CETO



Recovery Capstan

3
Years Limited
Warranty



Main Features

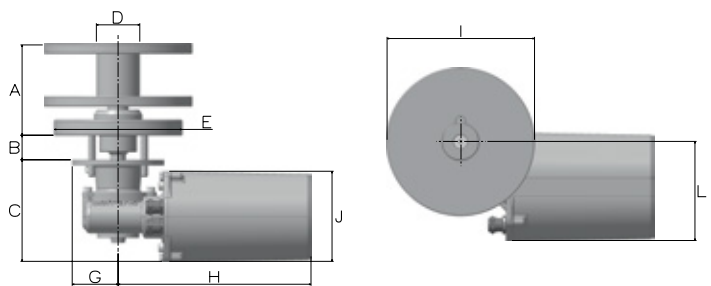
- Ideal for professional fishermen to retrieve clam fishing baskets
- Marine anodised aluminium construction
- Heavy-duty electric motor and gearbox
- IP67-rated motor cover with high protection from humidity & sea water
- Strong aluminium drum able to contain approximately 20 metres of fine rope
- The drum is driven by using a high torque worm gear box with the gear case made in black marine anodised aluminium
- The gears are made of bronze and steel in order to withstand the high stress during the intensive use

Standard Equipment

- Dual direction solenoid pack
- QR code card for Instruction Manual

Construction	Anodised Aluminium
Motor Size	1000 W
Power Supply (V)	12
Maximum Pull (kg)	850
Working Load (kg)	175
Amps at Working Load (A)	165
Line Speed at Working Load (m/min)	15
Max Line Speed (m/min)	15
Net Weight (kg)	16
Code	635999

Dimensions (mm)



Model	A	B	C	D	G	H	I	J	L
1000 W	180	25-40	150	Ø60	72,5	256	Ø106	134	157

Recovery Capstan

TENDER WINCH



Main Features

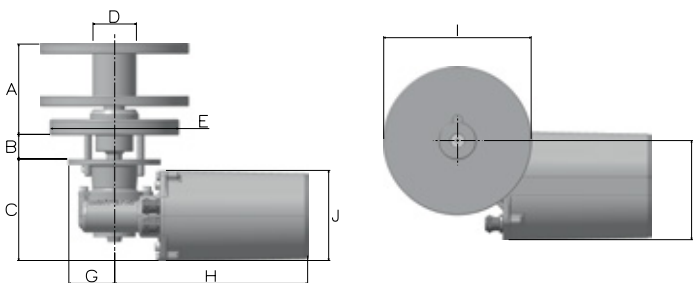
- Designed to recover a small tender or a jet ski
- Marine anodised aluminium construction
- Heavy-duty electric motor and gearbox
- IP67-rated motor cover with high protection from humidity & sea water
- Strong aluminium drum able to contain the necessary belt
- The drum is driven by using a high torque worm gear box with the gear case made in black marine anodised aluminium
- The gears are made of bronze and steel in order to withstand the high stress during the intensive use



Standard Equipment

- Dual direction solenoid pack
- QR code card for Instruction Manual

Dimensions (mm)



Model	A	B	C	D	E	G	H	I	J	L
500 W	96	18-30	124	Ø40	Ø114	56	236	Ø114	110	121
700 W / 800 W	110	18-30	124	Ø53	Ø156	56	236	Ø156	110	121

Construction

Anodised Aluminium

Motor Size	500 W	700 W	800 W
Power Supply (V)	12	24	12
Maximum Pull (kg)	425	550	625
Working Load (kg)	85	110	125
Amps at Working Load (A)	75	45	80
Line Speed at Working Load (m/min)	15	15	15
Max Line Speed (m/min)	20	20	20
Net Weight (kg)	9	9	9
Code	030054	602123	602122

LFR 200



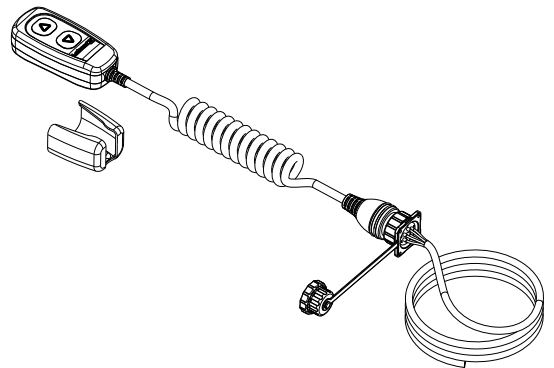
Hand Held Remote Control



- Designed for remote operation of various electrically operated equipment on board such as windlasses, cranes, gangways, sea ladders etc.
- Made of high-strength glass reinforced PP combined with a rubber gasket to ensure advanced durability, perfect watertightness, and a secure grip
- Ergonomic design
- Solid and durable construction
- IP67-rated with waterproof plug & socket
- Flexible cable extensible up to 4 metres (approximately) for maximum freedom on board during anchoring manoeuvring
- Socket & plug with pre-wired cables for easy and trouble-free installation
- Parallel connection
- 2 buttons (up-down)
- Support bracket for stowing

Code	60047
Command Transmission	Wire
Number of Buttons	2
Voltage (V DC)	10 - 30
Operating Temperature (°C)	From -10 to +60
Protection Rating*	IP67
Contacts Amperage (A)	3
Weight (g)	610
Dimensions (mm)	106 x 50 x 32

*When installed



LFR 400



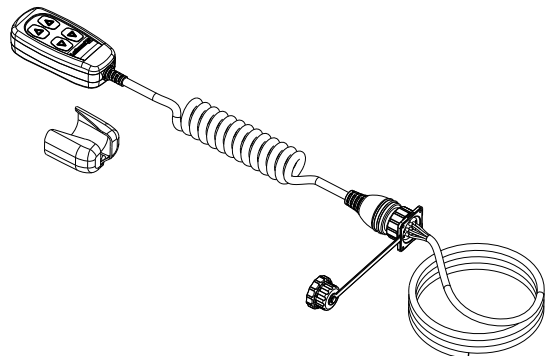
Hand Held Remote Control



- Designed for remote operation of various electrically operated equipment onboard such as windlasses, cranes, gangways, sea ladders etc.
- Made of high-strength glass reinforced PP combined with a rubber gasket to ensure advanced durability, perfect watertightness, and a secure grip
- Ergonomic design
- Solid and durable construction
- IP67-rated with waterproof plug & socket
- Flexible cable extensible up to 4 metres (approximately) for maximum freedom on board during anchoring manoeuvring
- Socket & plug with pre-wired cables for easy and trouble-free installation
- Parallel connection
- 4 buttons for operating two windlasses or other onboard equipment
- Support bracket for stowing

Code	60048
Command Transmission	Wire
Number of Buttons	4
Voltage (V DC)	10 - 30
Operating Temperature (°C)	From -10 to +60
Protection Rating*	IP67
Contacts Amperage (A)	2
Weight (g)	618
Dimensions (mm)	106 x 50 x 32

*When installed



THETIS 1002

THE ORIGINAL WINDLASS

Hand Held Remote Control

- Elegant and functional design
- Soft rubber casing that allows for anti-slip grip
- IP66-rated with waterproof plug & socket IP67-rated
- Flexible cable extensible up to 4 metres (approximately) for maximum freedom on board during anchoring manoeuvring
- With reinforced covers & buttons
- Inversion polarity protection
- Parallel connection
- 2 buttons (up-down)
- Support bracket for stowing

Code	73631
Command Transmission	Wire
Number of Buttons	2
Voltage (V DC)	12 - 24
Operating Temperature (°C)	From -10 to +60
Protection Rating*	IP66
Max. Contacts Amperage (A)	2
Weight (g)	580
Dimensions (mm)	155 x 65 x 45

*When installed



THETIS 5003

Hand Held Remote Control Chain Counter

- Specially designed to provide full control in anchoring
- Soft rubber casing that allows for anti-slip grip
- IP66-rated with waterproof plug & socket IP67-rated
- Flexible cable extensible up to 4 metres (approximately) for maximum freedom on board during anchoring manoeuvring
- Advanced microprocessor that offers a series of advantages for full anchoring control
- With reinforced covers & buttons
- Chain speed indicator / mooring length in meters or feet
- Voltage indicator
- Up alarm sensor
- Switch on button / Key tones adjustment
- High vision LCD display / Backlit display screen / Eight level of contrast
- Six language menu (IT, EN, FR, DE, ES, GR)
- Able to control free fall windlasses
- Parallel connection
- Support bracket for stowing

Code	73632
Command Transmission	Wire
Number of Buttons	3
Voltage (V DC)	12 - 24
Operating Temperature (°C)	From -10 to +60
Protection Rating*	IP66
Max. Contacts Amperage (A)	2
Weight (g)	710
Dimensions (mm)	155 x 65 x 45

*When installed



THETIS 7003



Radio Control Chain Counter



- Without cable ties, plug or panels & with rechargeable battery
- With reinforced covers & buttons
- Chain speed indicator / mooring length in meters or feet
- Voltage indicator
- Up alarm sensor
- Switch on button / Key tones adjustment
- High vision LCD display / Backlit display screen / Eight level of contrast
- Six language menu (IT, EN, FR, DE, ES, GR)
- Able to control free fall windlasses
- Parallel connection
- USB cable included
- Support bracket for stowing



Code	73633
Command Transmission	Remote
Number of Buttons	3 (Transmitter)
Voltage (V DC)	12 - 24 (Receiver)
Operating Temperature (°C)	From -10 to +60
Protection Rating*	IP66 (Transmitter)
Max. Contacts Amperage (A)	2 (Receiver)
Weight (g)	480
Dimensions (mm)	155 x 65 x 45 (Transmitter)

*When installed

IRIS II

Panel Chain Counter



- Flybridge chain counter
- Technologically advanced
- Elegant and ergonomic design
- Suitable for all types of boat cockpits
- Advanced microprocessor
- With different operations allowing for optimum anchoring
- New larger display
- Chain speed indicator / mooring length in meters or feet
- Voltage indicator
- Up alarm sensor
- Switch on button / Key tones adjustment
- High-vision LCD display 3" / Backlit display screen / Eight level of contrast
- Six language menu (IT, EN, FR, DE, ES, GR)
- Able to control free fall Windlasses
- Parallel connection

Code	600017
Command Transmission	Wire
Number of Buttons	3
Voltage (V DC)	12 - 24
Operating Temperature (°C)	From -10 to +60
Protection Rating*	IP67
Max. Contacts Amperage (A)	2
Weight (g)	500
Dimensions (mm)	110 x 105 x 15 (5 flat version)

*When installed



Radio Remote Control

- Designed to operate with Lofrans' windlasses
- Can also be used to operate other on-board equipment, such as thrusters, passerelles, cranes, etc.
- Transmitter IP67 rated
- Supports up to 8 independently controlled channels
- Each receiver can switch 4 channels (12/24 V - 2 A)
- Each transmitter can handle 2 receivers (8 channels)
- Digital recognition avoids accidental activation of other system
- Zero power consumption when in standby mode (transmitter)
- Easy to install and set-up, simple to use



Code	312976	312977
Description	Transmitter & Receiver (EU)	Transmitter & Receiver (USA)
Frequency (MHz)	868	915
Number of Buttons	8 (Transmitter)	
Voltage (V DC)	12 - 24 (Receiver)	
Operating Temperature (°C)	From -10 to +60	
IP Protection Rating	67 (Transmitter)	
Max. Contacts Amperage (A)	2 (Receiver)	
Weight (g)	310	
Dimensions (mm)	114 x 60 x 22 (transmitter) / 126 x 78 x 23 (receiver)	



Mini Remote Control

- Designed to operate with Lofrans' windlasses
- Can also be used to operate other on-board equipment, such as thrusters, passerelles, cranes, etc.
- Supports up to 4 independently control channels (12/24V - 10A)
- Zero power consumption when in standby (transmitter)
- Transmitter IP67 rated



Code	636305
Description	Transmitter & Receiver (EU/USA)
Frequency (MHz)	433
Number of Buttons	4
Voltage (V)	12 - 24 (Receiver) 3 (Transmitter)
Operating Temperature (°C)	From -10 to +60
Protection Rating	IP67
Max. Contacts Amperage (A)	10
Weight (g)	31 (Transmitter) / 95 (Receiver)
Dimensions (mm)	71,8 x 38 x 17,7 (Transmitter) / 100,5 x 61 x 25 (Receiver)



Touch Panel Up Down

2
Years Limited
Warranty



- Low profile anchor windlass touch panel with LED backlit buttons
- It is designed with safety in mind, having a two button activation mode in order to secure any accidental activation

- Its secure design is enhanced by the 3-minute auto deactivation as well as the buzzer notification on deactivation
- The round back flange plays a key role to the easy installation on board
- It comes in elegant black colour
- IP67 water/dust rating (front panel)
- A truly reliable windlass control panel



Code	74317
Compatible with	All Windlasses
Protection Rating	IP67
Dimensions (mm)	65 x 65

Control Switch

2
Years Limited
Warranty



TYPE C

- Modern and practical design
- Watertight, reliable construction
- Supplied with the apposite case for simple and safe installation

Code | 187338



TYPE L

- Made of a fixing plaque and a three-position switch (Up-Off-Down)
- Usually installed on the cockpit

Code | 404728

Foot Switch

Inox



- Easy-to-install switch, which works simply, by pressing the button with the foot
- Base made of inox
- Cover made of composite material to prevent accidental engagement

- Button made of special marine rubber, able to withstand UV rays and the marine environment
- Available in UP and DOWN versions

Code	636075	636074	600012	600011	602121
Description	Black / Inox	Red / Inox	Black / Grey	Red / Grey	Blue (wash down) / Grey
Voltage (V DC)	12 - 24				
Operating Temperature (°C)	From -10 to +60				
Protection Rating	IP67				
Max. Contacts amperage (A)	5				
Weight (g)	250		100		
Dimensions (mm)	80 x 95 x 20				

Circuit Breaker

- Essential component of the electric plant
- Protects from very dangerous short circuits
- Protects the electric motor of the windlass
- Interrupts tension to windlass when desired
- In case of short circuit, the intervention is immediate
- Supplied with an elegant plaque for fixing and a LED light

Concerning the electric motor, a specific intervention curve has been studied in cooperation with E-T-A Germany. It is possible to re-activate the circuit breaker at the end of the intervention.



		35 A	40 A	70 A	80 A	100 A	125 A
Code	Thermal	187331	-	187332	-	187333	187334
	Hydraulic	-	600029	-	630616	600028	-

Thermal Circuit Breaker Surface Mounted

- Essential component of the electric plant
- Protects from very dangerous short circuits
- Protects the electric motor of the windlass
- Interrupts tension to windlass when desired
- In case of short circuit, the intervention is immediate



	40 A	70 A	100 A	110 A	120 A	150 A	200 A
Code	636087	636088	636089	636090	636091	636092	636601

Control Box Solenoids for DC

- Electric unit made up of two remote control switches enclosed in a special container in order to prevent marine corrosion
- The entire unit has been designed with a view to simplifying and speeding up the various electrical connections
- For this purpose, there is no need to open and/or pierce the container, as all the terminals and the panel for the electrical connections are perfectly accessible from the outside
- Outer construction in self-extinguishing polyester resin, resistant to shock and marine corrosion



Code	600018	600019	600020	602590	600021	600022	419245
Number of Terminals	3	3	3	4	4	4	4
Power (V)	12	24	24	12	12	24	24
Motor Size (W)	500-1700	500-1700	1700-2300	500-1000	1000-1700	500-1700	3500
Protection Rating	IP56						

Switchboard Up/Down



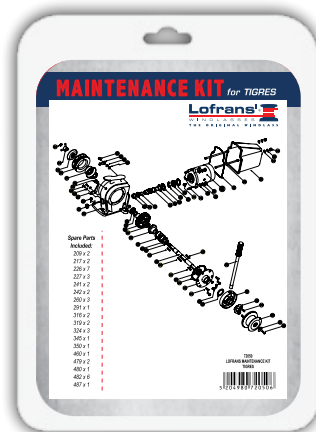
- For all Lofrans' AC windlasses
- Can be powered by 110V, 230V or 400V (single phase or three phase), for power up to 7.5 KW
- Can supply low tension starters with inverter and special cabling
- Each switchboard provides power supply to one windlass

Code	Volt	Kw	PH	Hz
600095	400	2,2	3	50/60
600096	400	4,0	3	50/60
600676	440	2,2	3	50/60
600684	230	3,6	1	50/60
600688	440	4,0	3	50/60
600693	400	5,5	3	50/60
600698	230	2,2	3	50/60

Maintenance Kit

KEEP YOUR LOFRANS' AS GOOD AS NEW!

Every Lofrans' windlass has its own maintenance kit in order to remain as good as new.



Exploded Diagram & Contents

Code	For Windlass
72036	X0
72037	X1
72038	X2 & PROJECT 1000
72039	X2 ALU
72040	X3, X3 ALU & PROJECT 1500
72046	ROYAL
72047	DORADO
72048	KOBRA & CAYMAN
72050	TIGRES
72051	FALKON
72045	ATLAS
74853	GECKO

Kits for Windlasses & Capstans



**KIT A
SEALS**

Code	For Model
474013	X4 & PROJECT 2000
418428	ERCOLE VERTICAL
418403	TITAN
418423	ERCOLE
427806	SUPER ERCOLE
418410	T500
418411	T700 - T1000
418422	T1500 - T1700
418399	T2000 - T2500



**KIT B
SCREWS**

Code	For Model
474012	X4 & PROJECT 2000
418475	ERCOLE VERTICAL
418457	TITAN
418472	ERCOLE
418476	SUPER ERCOLE
418446	T500
418450	T1500
418451	T2000-T2500
418448	T700



**KIT C
PINS**

Code	For Model
474011	X4 & PROJECT 2000
418499	ERCOLE VERTICAL
418493	TITAN
418494	ERCOLE
418500	SUPER ERCOLE
418483	T500
418487	T1500 - T1700
418486	T700



**KIT D
CIRCLIPS**

Code	For Model
474010	X4 & PROJECT 2000
418556	ERCOLE VERTICAL
418553	TITAN
418555	ERCOLE
418575	SUPER ERCOLE
418512	T500
418513	T700 - T1000
418514	T1500 - T1700
418515	T2000 - T2500



**KIT F
FINGERS**

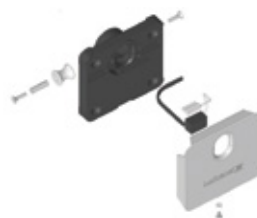
Code	Material	For Model
474023	Nylon	X1, X2 & PROJECT 1000
474017	Nylon 1500	X3 & PROJECT 1500
601047	Inox	X1 & X2
602105	Inox	X3
35036	Aluminium	DORADO
632116	Aluminium	LION



**KIT S
MAGNETIC
SENSORS**

Code	For Model
474053	X1, X2 & X3
600033	X4
474048	for all horizontal windlasses
601291	ERCOLE VERTICAL

KITS FOR GECKO



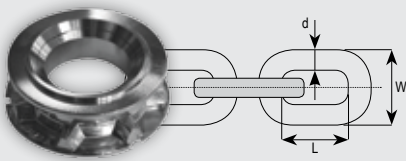
Code	Description
636646	AUTOMATIC STOP SUPPORT
636647	MAGNET CASE
636648	FINGER
636649	FREE FALL CAP

GYPSIES

For Vertical Windlasses



Chain Identification



CHAIN d	Inside Length L (mm)	Outside Width W (mm)
6 ISO	18	20
7 ISO	21	24
8 ISO	24	27
10 ISO	30	34
12 ISO	36	40
14 ISO	42	47
6 DIN 766	18.5	20
7 1/4" DIN 766	22	23
8 - 5/16" DIN 766	24	26
10 - 3/8" DIN 766	28	34
13 - 1/2" DIN 766	36	44

For Windlass	Chain Size	Gypsy Code
X1 & SX1	6mm ISO 4565 / DIN 766	630970
	7mm ISO 4565 1/4" G40	630980
	8mm ISO 4565 / DIN 766	630999
X2 & SX2	6mm ISO 4565 / DIN 766	630953
	8mm ISO 4565 / DIN 766	630949
	10mm ISO 4565	630951
	10mm DIN 766	630955
X3 & SX3	8mm ISO 4565 / DIN 766	630957
	10mm ISO 4565	630959
	10mm DIN 766	630966
	12mm ISO 4565 - 13mm DIN 766	630961
SX3.5	10mm DIN 766	631026
	10mm DIN 766 10-3/8 HT	631024
	12-13mm DIN 766	636573
	14 mm	631074
X4 & SX4	8mm ISO 4565 / DIN 766	630996
	1/2" G40	631036
	10mm DIN 766 3/8" BBB	631132
	10mm ISO 4565 3/8" HT	636570
	12-13mm DIN 766	636572
	1/2" BBB	631033
SX5	14mm	631059
	12-13mm DIN 766	631039
	14mm	631065
SX7	14 STUD LINK	631071
	12-13mm DIN 766	631042
	14mm	631065
	16mm ISO 4565	631082
	16mm DIN 766	631088

For Windlass	Chain Size	Gypsy Code
ERCOLE VERTICAL	1/2" STUD LINK	631053
	10mm ISO 4565	631019
	12-13mm DIN 766	631039
	13 ITALMET	631056
	13mm DIN 764	631085
	14mm	631065
	14 STUD LINK	631068
	14,5 UNI 4417	630989
	16mm ISO 4565	631082
	16mm DIN 766	631088
	16 STUD LINK	631092
	17,5 STUD LINK	631098
	18mm DIN 766	631095
18mm ISO 4565	631101	
19mm	636381	
PROJECT 1000	6mm ISO 4565 / DIN 766	630953
	8mm ISO 4565 / DIN 766	630949
	10mm ISO 4565	630951
	10mm DIN 766	630955
PROJECT 1500	8mm ISO 4565 / DIN 766	630957
	10mm ISO 4565	630951
	10mm ISO 4565	630959
	10mm DIN 766	630966
	12mm ISO 4565 - 13mm DIN 766	630961
PROJECT 2000	5/16" HT	631129
	7/16" HT	630992
	1/2" G40	631036
	10mm DIN 766 3/8" BBB	631132
	10mm ISO 4565 3/8" HT	631022
	12-13mm DIN766	631031
	14mm	631059

GYPSIES

For Horizontal Windlasses

For Windlass	Chain Size	Gypsy Code
ROYAL	6mm ISO 4565 / DIN 766	630968
	7mm ISO 4565 - 1/4" G40	630978
	8mm ISO 4565 / DIN 766	630994
	10mm ISO 4565 3/8" HT	631011
	10mm DIN 766	631118
	5/16" HT	631077
	3/8" BBB	631120
	3/8" PC	631122
LION 1000	6mm ISO 4565 / DIN 766	631005
	7mm ISO 4565	631007
	8mm ISO 4565 / DIN 766	636643
DORADO	6mm ISO 4565 / DIN 766	630974
	7mm ISO 4565 1/4" G40	630984
	8mm ISO 4565 / DIN 766	636642
RAZZA	6mm ISO 4565 / DIN 766	630974
	7mm ISO 4565 1/4" G40	630984
	8mm ISO 4565 / DIN 766	636642
GECKO	Only ROPE gypsy	634877
CAYMAN & KOBRA	6mm ISO 4565 / DIN 766	630968
	7mm ISO 4565 1/4" G40	630978
	8mm ISO 4565 / DIN 766	630994
	10mm ISO 4565 3/8" HT	631011
	10mm DIN 766	631118
	5/16" HT	631077
	3/8" BBB	631120
	3/8" PC	631122

For Windlass	Chain Size	Gypsy Code
TIGRES	5/16" HT	631077
	3/8" BBB	631120
	3/8" PC	631122
	6mm ISO 4565 / DIN 766	630968
	7mm ISO 4565 1/4" G40	630978
	8mm ISO 4565 / DIN766	630994
	10mm ISO 4565 3/8" HT	631011
	10mm DIN 766	631118
	12mm ISO 4565 - 13mm DIN 766	631028
	5/16" HT	631129
FALKON	7/16" HT	636571
	1/2" G40	631036
	10mm ISO 4565 - 3/8" HT	636570
	10mm DIN 766 - 3/8" BBB	631132
	12-13mm DIN766	636572
	13mm DIN 764	631050
	14mm	631059
	1/2" BBB	631033
	3/8" G40	631124
	3/8" G40	631124
TITAN	1/2" G40	631036
	10mm ISO 4565 3/8" HT	636570
	10mm DIN 766 3/8" BBB	631132
	12-13mm DIN 766	636572
	8mm ISO 4565 / DIN 766	630996
	1/2" BBB	631033
	14mm	631059

For Windlass	Chain Size	Gypsy Code
ERCOLE HORIZONTAL	1/2" STUD LINK	631053
	12-13mm DIN 766	631039
	13 ITALMET	631056
	14mm	631065
	16mm ISO 4565	631082
	16mm DIN 766	631088
	16 STUD LINK	631092
	17,5 STUD LINK	631098
	18mm ISO 4565	631101
	19mm	636381
	14 STUD LINK	631068
	20 STUD LINK	631110
	1/2" STUD LINK	631053
SUPER ERCOLE	13 ITALMET	631056
	20mm	631113
	5/8" HT	630986
	10mm ISO 4565	631019
	12-13mm DIN 766	631039
	14mm	631065
	13mm DIN 766	631085
	16mm ISO 4565	631082
	16mm DIN 766	631088
	16 STUD LINK	631092
	18mm DIN 766	631095
	18 STUD LINK	631098
	18mm ISO 4565	631101
19 STUD LINK	636381	

CHAIN STOPPERS & ROLLERS

The chain stopper is installed between the windlass and the bow roller in order to take the load off the windlass, either when the yacht is anchored or tensioning the anchor chain when the anchor is stowed. Windlasses which have two gypsies or a gypsy and a drum, need the chain stopper in order to isolate the one gypsy and either work with the other gypsy or with the drum.

Chain Stoppers

- Increased safety by blocking the anchor chain
- Made of AISI 316L Stainless Steel
- To be installed between the windlass & the bow roller in order to take the load off the windlass



For chain 8/ 10mm ISO/DIN

Code | 636257

Available for
Vertical Windlasses
X 1, X2, X3, SX 1, SX2,
SX3, SX3.5

For chain 10/ 12mm ISO/DIN

Code | 636604

Available for
Vertical Windlasses
X2, X3, X4, SX2, SX3, SX3.5,
SX4, SX5, ERCOLE

For chain 12/ 13/ 14/ 16mm ISO/DIN

Code | 72191

Available for
Vertical Windlasses
X3, X4, SX3, SX3.5, SX4,
SX5, ERCOLE

Available for
Horizontal Windlasses
FALKON, TITAN, ERCOLE,
SUPER ERCOLE



Chain Roller-Stopper with Tensioner



- Increased safety by holding and blocking the chain & the anchor at the same time
- Integrated devils claw for taking up the chain tension off the windlass
- Made of AISI 316L Stainless Steel
- To be installed between the windlass & the bow roller in order to take the load off the windlass

For chain 14/ 16mm ISO/DIN/Studlink

Code | 72192

Available for Vertical Windlass:
ERCOLE

Available for Horizontal Windlasses:
FALKON, TITAN, ERCOLE,
SUPER ERCOLE

Chain Roller



For chain 10/ 12mm ISO & 13/ 14/ 16mm DIN

Code | 636532

- It works as a guide for the chain and the anchor when being lowered or raised, ensuring optimum performance
- Made of AISI 316L Stainless Steel
- To be installed close to the windlass

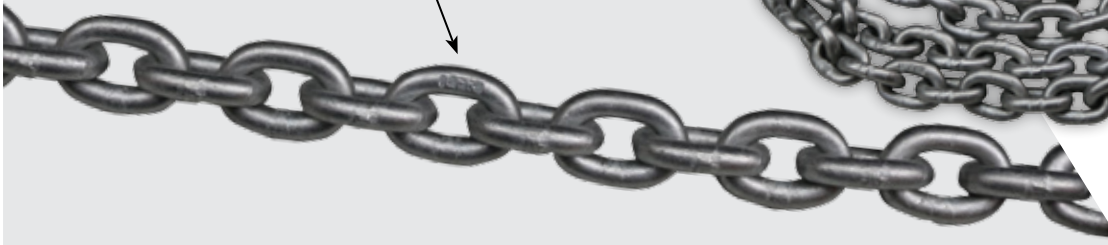
Available for Vertical Windlasses:
X2, X3, X4, SX2, SX3, SX3.5, SX4, SX5,
ERCOLE

Available for Horizontal Windlasses:
FALKON, TITAN, ERCOLE, SUPER ERCOLE

CHAINS

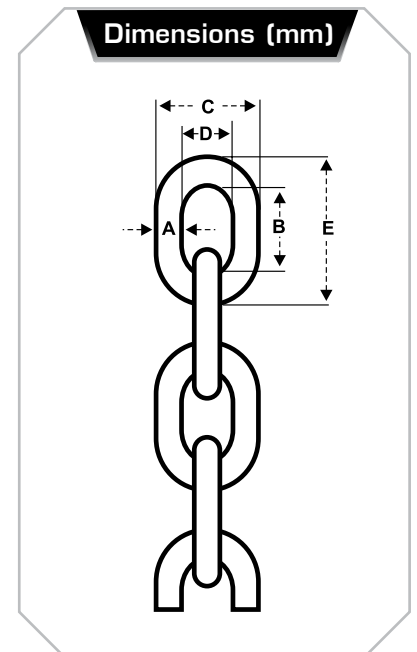
Hot Dip Galvanized • Calibrated

- Steel grade 40
- Hot Dip Galvanized
- Extended quality testing
- Certificate of Analysis for every drum included
- Lofrans' Authenticity Check -"LFR" engraved every 30 cm



Code	72312	723121	72749	72750	72313	723131	72751	72752	72314	723141
Type	ISO 4565 / DIN 766				ISO 4565 / DIN 766				DIN 766	
A (mm)	6				8				10	
B (mm)	18,5				24				28	
C (mm)	20				27,5				34	
D (mm)	8				11,5				14	
E (mm)	30,5				40				48	
Weight / m (kg)	0,8				1,42				2,2	
Breaking Load (kg)	2400				4300				6750	
Available Pack (m)	Carton Drum	Pallet Box	Bag	Bag	Carton Drum	Pallet Box	Bag	Bag	Carton Drum	Pallet Box
	120	400	30	50	120	400	30	50	120	300

Code	72315	723151	72753	72754	72316	723161	72755	72408	72409
Type	ISO 4565				ISO 4565			DIN 766	
A (mm)	10				12			14	16
B (mm)	30				36			41,5	45
C (mm)	34,5				39,6			47,4	54,6
D (mm)	14,5				15,6			19,4	22,6
E (mm)	50				60			69,5	77
Weight / m (kg)	2,14				3,23			4,37	5,72
Breaking Load (kg)	6750				9700			13230	17280
Available Pack (m)	Carton Drum	Pallet Box	Bag	Bag	Carton Drum	Pallet Box	Bag	Pallet Box	Pallet Box
	120	300	30	50	120	300	50	200	200



WITH THE EXPERIENCE AND QUALITY OF
Lofrans!
 WINDLASSES

CHAIN PIPES

for SX Series - Vertical Windlasses



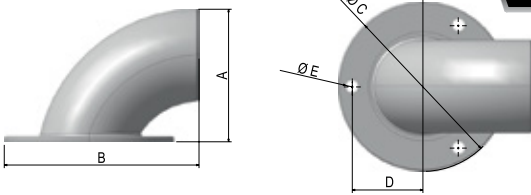
Stainless Steel

- Ensuring the smooth movement of the chain from and to the chain locker
- Marine AISI 316 Stainless Steel construction
- Mirror-polished finish
- Iconic Italian design
- Compatible with our SX series

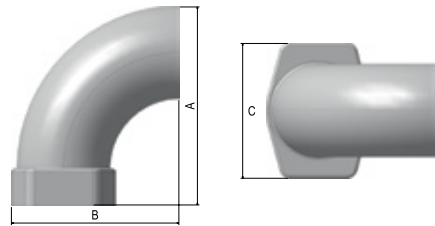


Code	636431	636311	636312	636313	636314
For Windlass	SX1	SX2 & SX3	SX3,5	SX4	SX5

Dimensions (mm)



Model	Code	A	B	C	D	E
For SX1	636431	68	102	Ø95	38,5	Ø8,5
For SX2 & SX3	636311	86	127	Ø110	46	Ø8,5
For SX3,5	636312	114	165	Ø140	55	Ø10,5
For SX4	636313	125	163	Ø140	55	Ø10,5



Model	Code	A	B	C
For SX5	636314	191	161,5	130

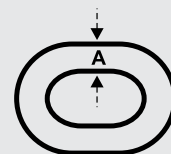
CABO ROPE

for chain rope use

3-strand with Chain Connector, Nylon, White



Code	72319	72320	72321	72322	72323	72324
Rope Diameter (mm)	12		14		16	
Length (m)	30	60	90	30	60	60
Ring Diameter - A (mm)	6		8		10	
Breaking load (kg)	2300		2940		3640	



Chain Connector

Available option with assembled Lofrans' Chain

WINCH HANDLES

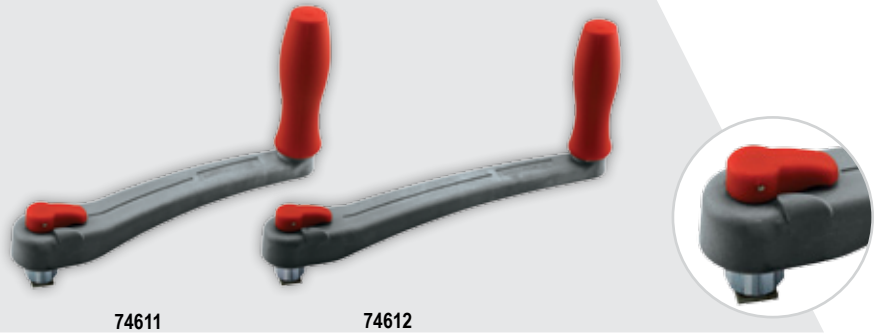
Durable • Lightweight • Easy to handle

Designed to operate efficiently with the minimum effort required

Glass reinforced PA

- Upgraded locking feature for ergonomic use of lock & unlock position

Code	Description	Length (cm)
74611	With lock	20
74612		25



74611

74612

Floating

- Glass reinforced PA
- With locking mechanism

Code	Description	Length (cm)
72740	With lock	20
72741		25
72742	Without lock & without handle	20
72743		25
72907	Without lock	25



Without locking & handle

With locking

Without locking

Anodised Aluminium

- Upgraded locking feature for ergonomic use of lock & unlock position

Code	Description	Length (cm)
11856	with lock	20
11857	with lock & speed handle	
11860	with lock	25
11861	with lock & speed handle	



11857
11861

11856
11860

Combine with



Winch Handle Pocket, PVC

Code	Dimensions (mm)	Colour
198208	L.240, W.92, H.55	Grey
198209		White

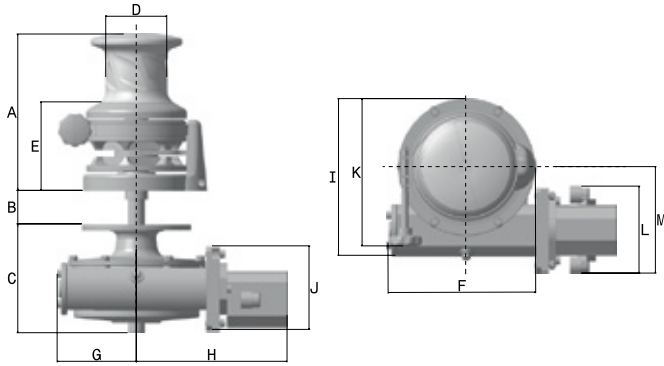


Winch Handle Holder, Side Mounted, Glass Reinforced Nylon

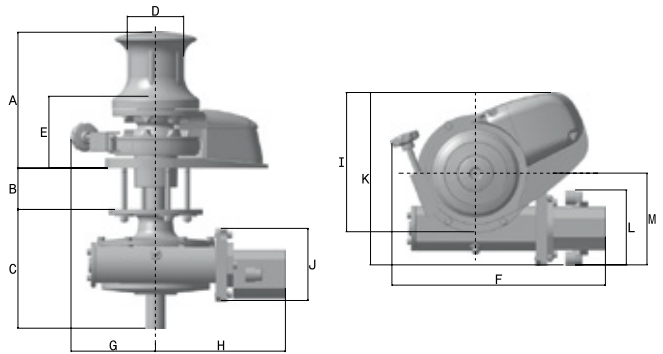
Code	Dimensions (mm)	Colour
198210	L.60, W.19, H.45	Grey

HYDRAULIC MODELS

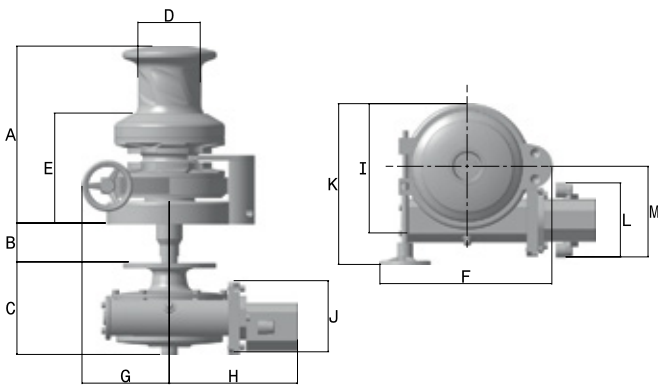
Dimensions in mm



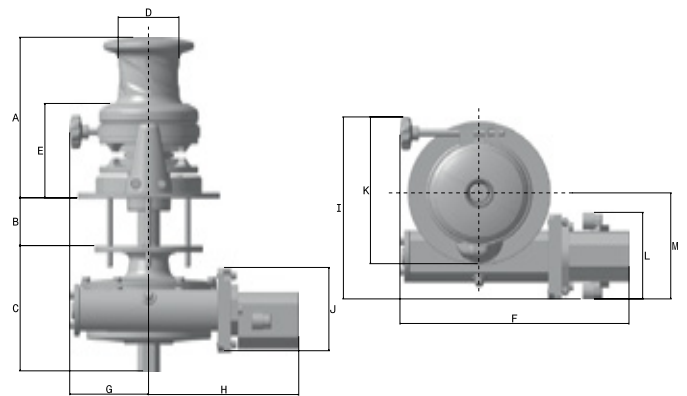
SX3,5	A	B	C	D	E	F	G	H	I	J	K	L	M
Hydraulic 8cc	281	60	195	Ø109	159	265	142	271	281	150	264	156	191



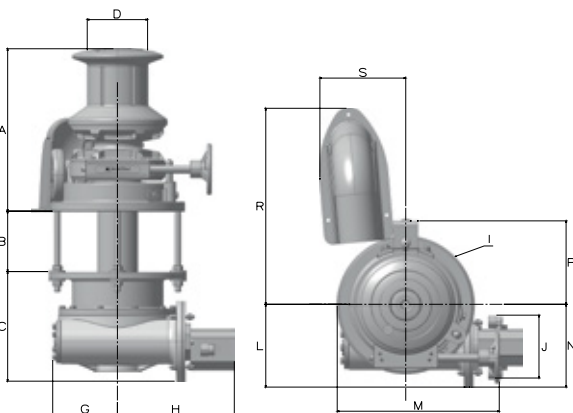
X4	A	B	C	D	E	F	G	H	I	J	K	L	M
Hydraulic 8cc	283	86	247	Ø117	150	444	176	541	290	150	359	156	191



SX5	A	B	C	D	E	F	G	H	I	J	K	L	M
Hydraulic 8cc	373	82	195	Ø131	232	362	184	271	272	150	339	156	191



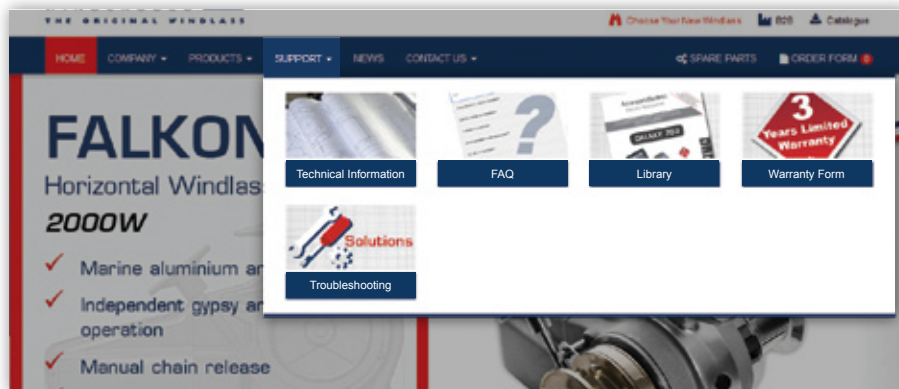
SX4	A	B	C	D	E	F	G	H	I	J	K	L	M
Hydraulic 8cc	289	86	226	Ø109	170	412	142	541	328	150	264	156	191



ERCOLE VERTICAL	A	B	C	D	G	H	I	J	L	M	N	P	R	S
Hydraulic 11cc	400	150	272	150	160	290	340	156	205	405	205	205	min 490 - max 600	min 200 - max 230

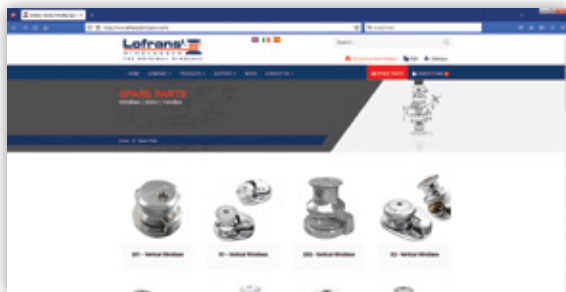
www.lofrans.com

SUPPORTIVE MATERIAL



SPARE PARTS ORDERING IN LESS THAN 2 MINUTES

1. Select the relevant product



2. Select the spare part you need



3. Fill in the order form & Submit

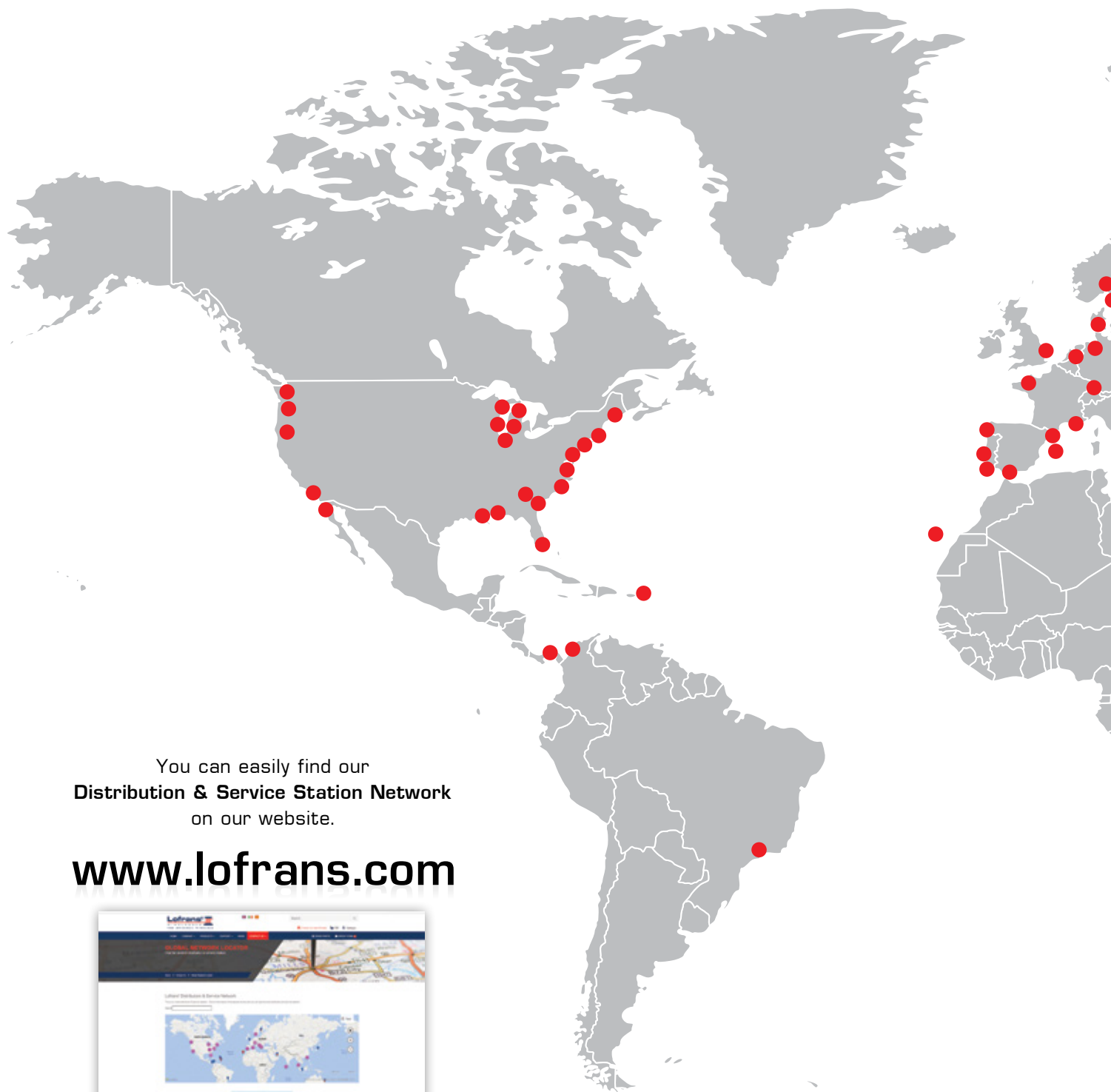


CONTACT US FORM & TICKETING PLATFORM



- ✓ Centralised communication management via ticketing platform
- ✓ Direct communication with our team of technical experts
- ✓ Effective management of all requests

GLOBAL

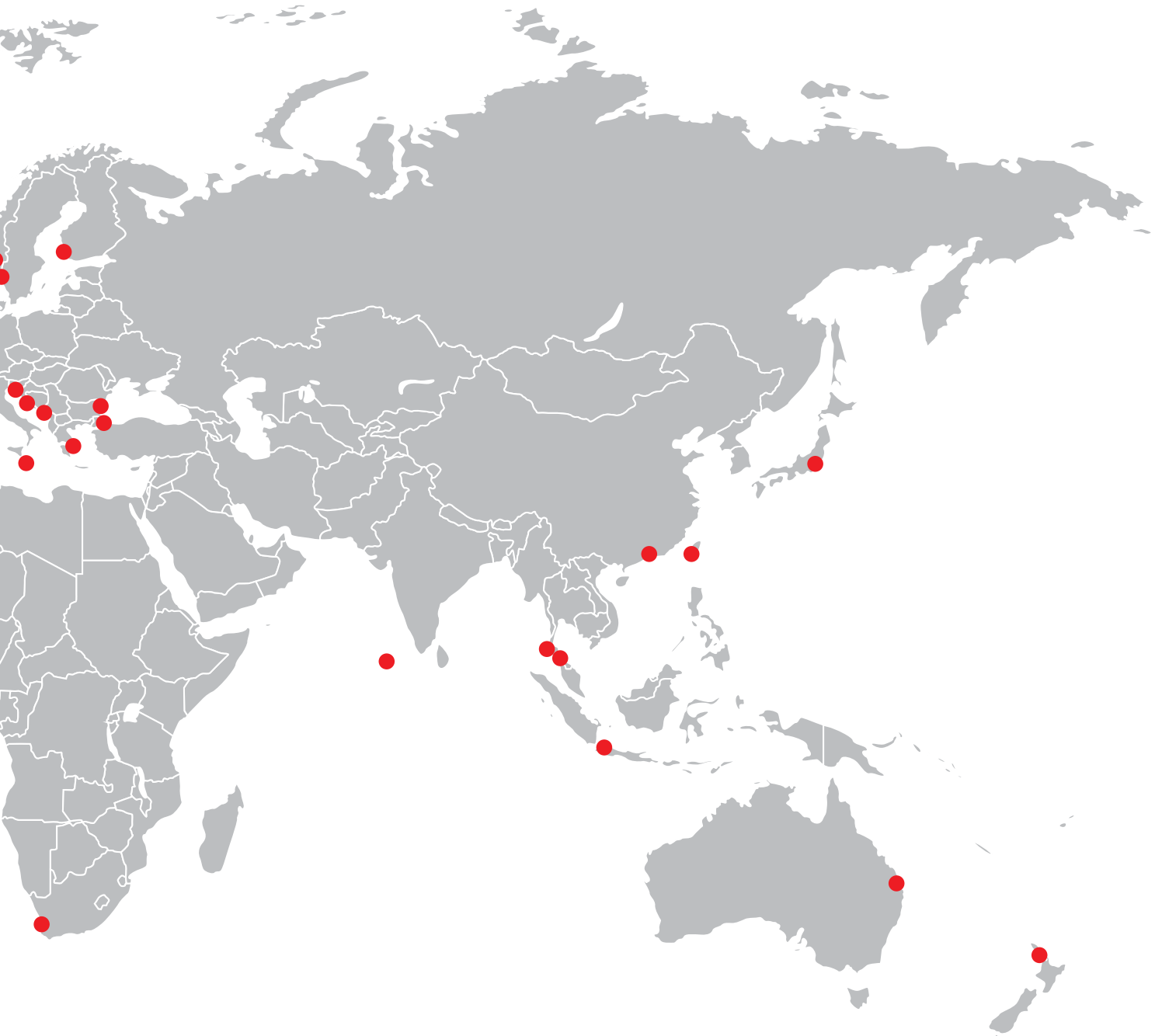


You can easily find our
Distribution & Service Station Network
on our website.

www.lofrans.com



NETWORK





Via Philips 5, 20900 Monza (MI), Italy
Tel: +39 039 200 1973, Fax: +39 039 200 4299
E-mail: contact@lofrans.com

www.lofrans.com